



ALFRESCO LIVING



Credit – Achieve Design / Emily Bartlett Photography



CONDOR
RANGEHOODS

Setting up an inviting alfresco room to take your outdoor zone to the next level needs careful planning. Aside from delivering daily enjoyment ventilation should be top of mind. As barbecues continue to increase in size and complexity, with heat outputs in excess of 110 mega joules, choosing the correct ventilation is essential.

We're seeing a shift towards multi-functional outdoor areas as homeowners look to maximise their outdoor spaces for entertaining.

Australian made
and owned









Alfresco solutions that work.

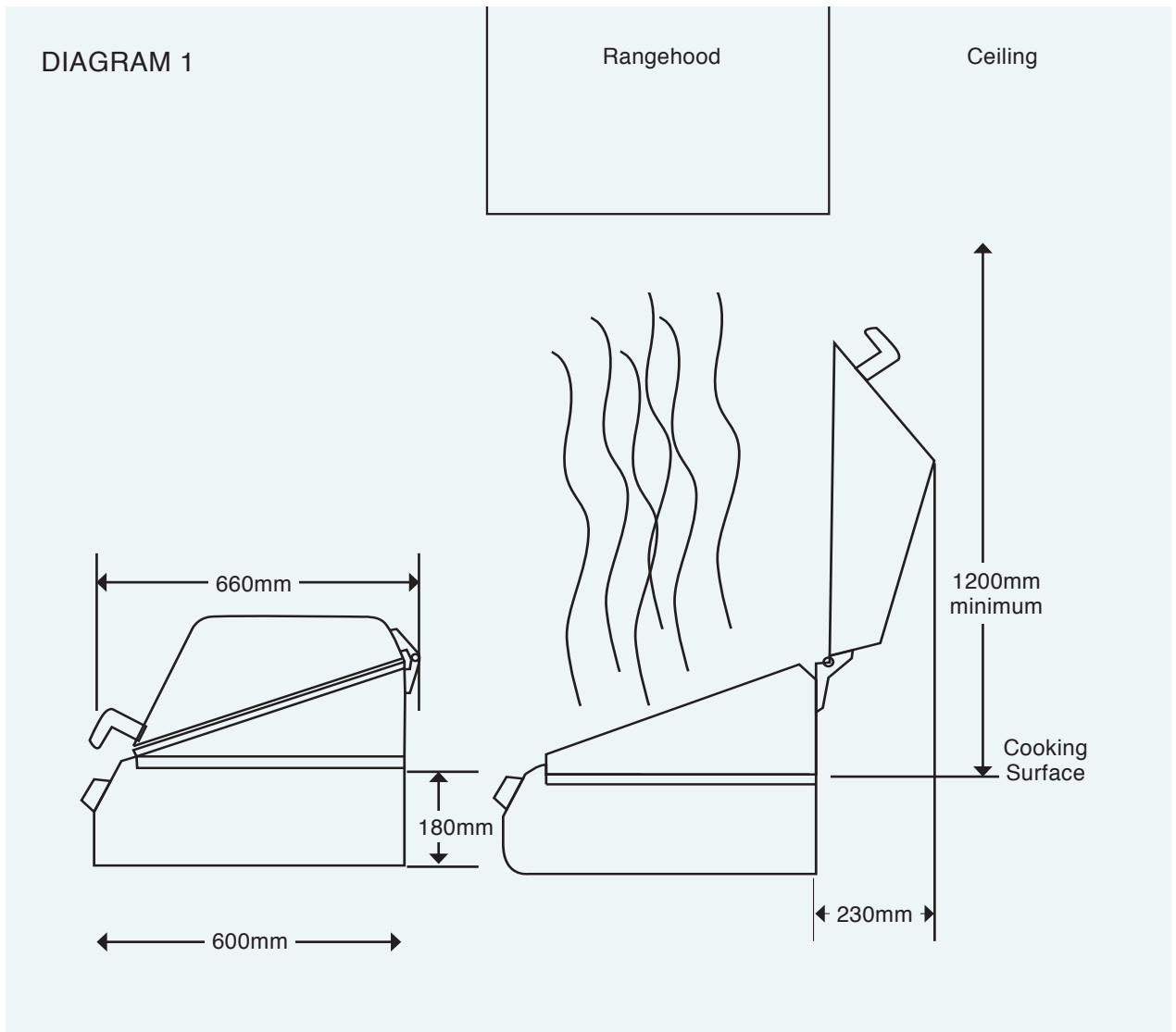
The demand for architecturally designed alfresco areas, and all-year outdoor entertainment options is becoming a standard inclusion in new build and renovation projects. Condor® Rangehoods offer the perfect solution - the only Australian Made product designed to effectively and quietly remove smoke and other by-products of BBQ cooking from the area.

To specify the correct size of the rangehood, the number of motors required and the correct placement, we require the following information:

- Model of the BBQ
- Number of Burners
- Megajoule rating
- Design of the BBQ Lid

We also offer solutions in:

- Bespoke Design
- Standard and Custom rigid - nonflammable ducting
- Stainless Steel and COLORBOND ducting options.

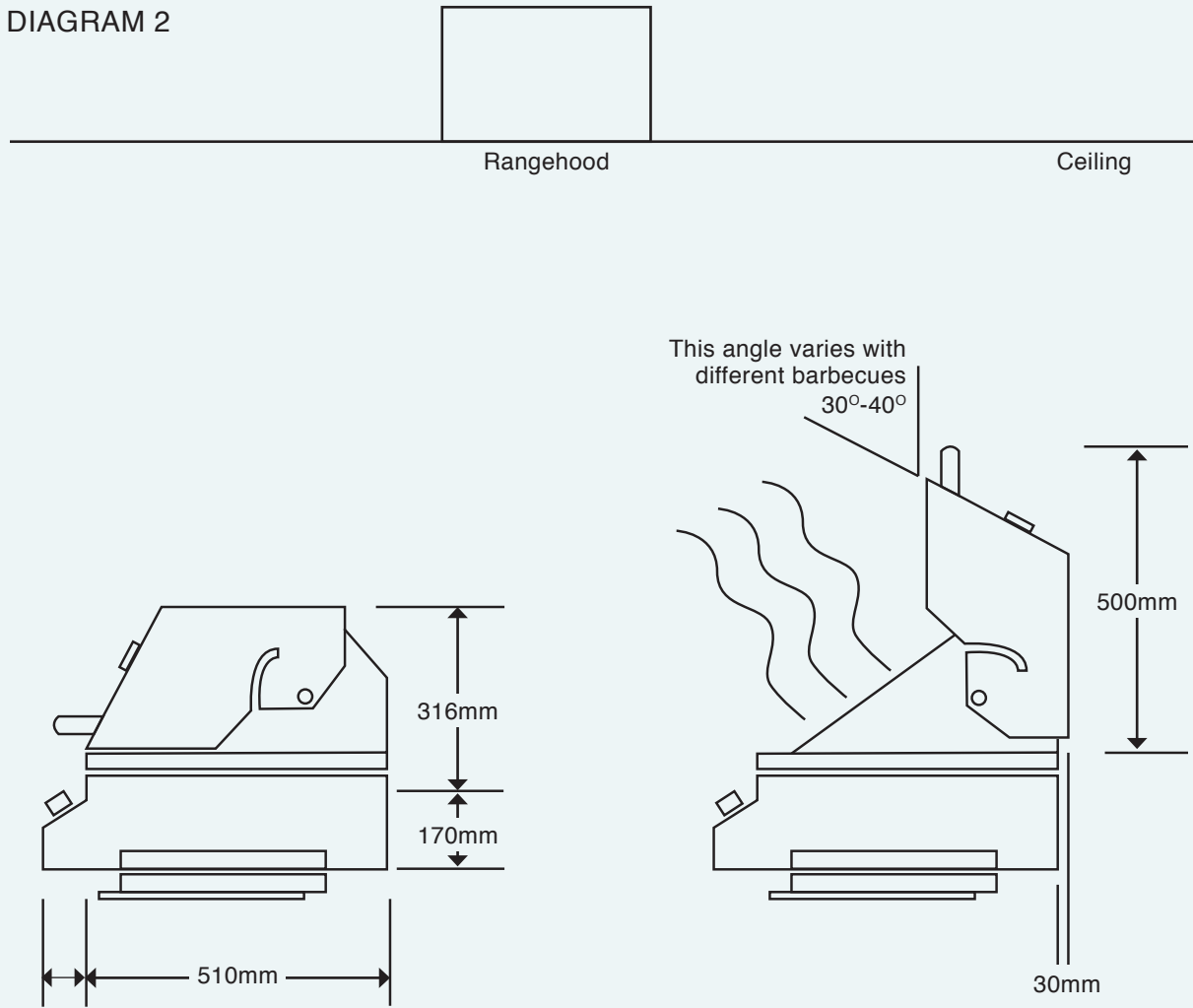


Alfresco areas are becoming more popular and barbecues are becoming more elaborate and complex putting out more heat. The problem with ventilation is when the heat output of the barbecue is over 65 mega joules or each burner is 15 mega joules or greater. Correct ventilation allows full use of all the facilities in the Alfresco areas. The barbecue selected will determine the type of rangehood and the position for the rangehood.

The diagram above shows a barbecue with the hood open at 90 degrees to the cooking surface and the smoke rises vertically. The rangehood can be placed over the top of the cooking surface. Some manufacturers recommend that you cook with the lid closed and the rangehood can be placed above the barbecue.

The diagram shows the relationship of the barbecue to the rangehood.

DIAGRAM 2



The diagram above shows the barbecue lid is pivoted in the centre of the base and therefore covers the back half of the cooking surface. There are many models on the market that are like this and the smoke comes out from the cooking surface at about 60 degrees to the horizontal.

The rangehood needs to be in front of the barbecue so it will catch all the by products of the cooking. The position will be determined by the height of the ceiling. This diagram explains the problem and the solution to this.

We recommend an air movement up to 2700 cubic metres per hour over all outdoor barbecues and for diagram 2 it may be necessary to have an air movement up to 3600 cubic metres depending on the ducting required.

All barbecues vary considerably in size and heat output so it is important to ensure the rangehood selected will provide the most satisfactory result over the barbecue selected.

Island and wall mounted barbecues will need to fully cover the hotplate and may need extra air movement to get the right result.





Condor Rangehoods are designed and manufactured in Australia to compliment all alfresco and outdoor areas. The latest design in outdoor entertaining can now become truly viable with the addition of a Condor Rangehood. The Condor Rangehood will remove all by-products of outdoor cooking – smoke, grease and odours.

Many barbecues installed in alfresco areas can be quite elaborate and exotic. They can include different cooking appliances, such as side burners, wok burners and rotisserie spikes, and are available in natural and LP gas. Significantly, they can generate an enormous amount of smoke and odours.

The barbecues available in today's market place can produce an output of up to 130 mega joules. The air movement of the exhaust system must be greater than the updraft caused by the burners of the barbecue. The Condor Rangehood achieves this via 3 forward curved centrifugal fan motors with a maximum air movement of 2700 cubic metres of air per hour. This is matched by an incomparable degree of quietness, which is achieved by fully insulating the rangehood with sound-deadening material.

The following pages have 9 different Condor Rangehoods

- | | | |
|-----------------|---------------|--------------|
| 1. Clifton XL | 4. Eyre | 7. Falcon |
| 2. Baltimore XL | 5. Austin | 8. Tanami |
| 3. Boston XL | 6. Beechworth | 9. Peninsula |

We also now have 1200mm deep rangehoods in the following models:

- | | |
|--------------|-----------|
| 1. Clifton | 3. Boston |
| 2. Baltimore | 4. Eyre |

All the Condor Rangehoods have an air movement from 450 cubic metres to 2700 cubic metres per hour except for the Tanami which has a maximum of 3600 cubic metres per hour.

Lights are LED Strip Type and each light is 6.7 watts.

The filters can be washed in a dishwashing machine.

The Condor Rangehoods can be ordered with remote switching and for this the coding has an R after the model – eg. BAL1200L-3R.

If the remote switch option is required, switching will not be supplied as it is necessary to install an approved switch bank.

Condor Rangehoods are now insulated with Megasorber FM acoustic foam utilizing a patented sound absorbing facing material “Soundmesh G8” to provide maximum sound absorption.



MEGASORBER P FIREPROOF ACOUSTIC PANEL

Megasorber P is a sound absorption material consisting of a patented acoustically tuned fireproof sound-absorbing Soundmesh G8 (Australian Patent No. 2009206497). It is fireproof and designed for maximum noise absorption at low to mid frequencies.



CONDOR filters

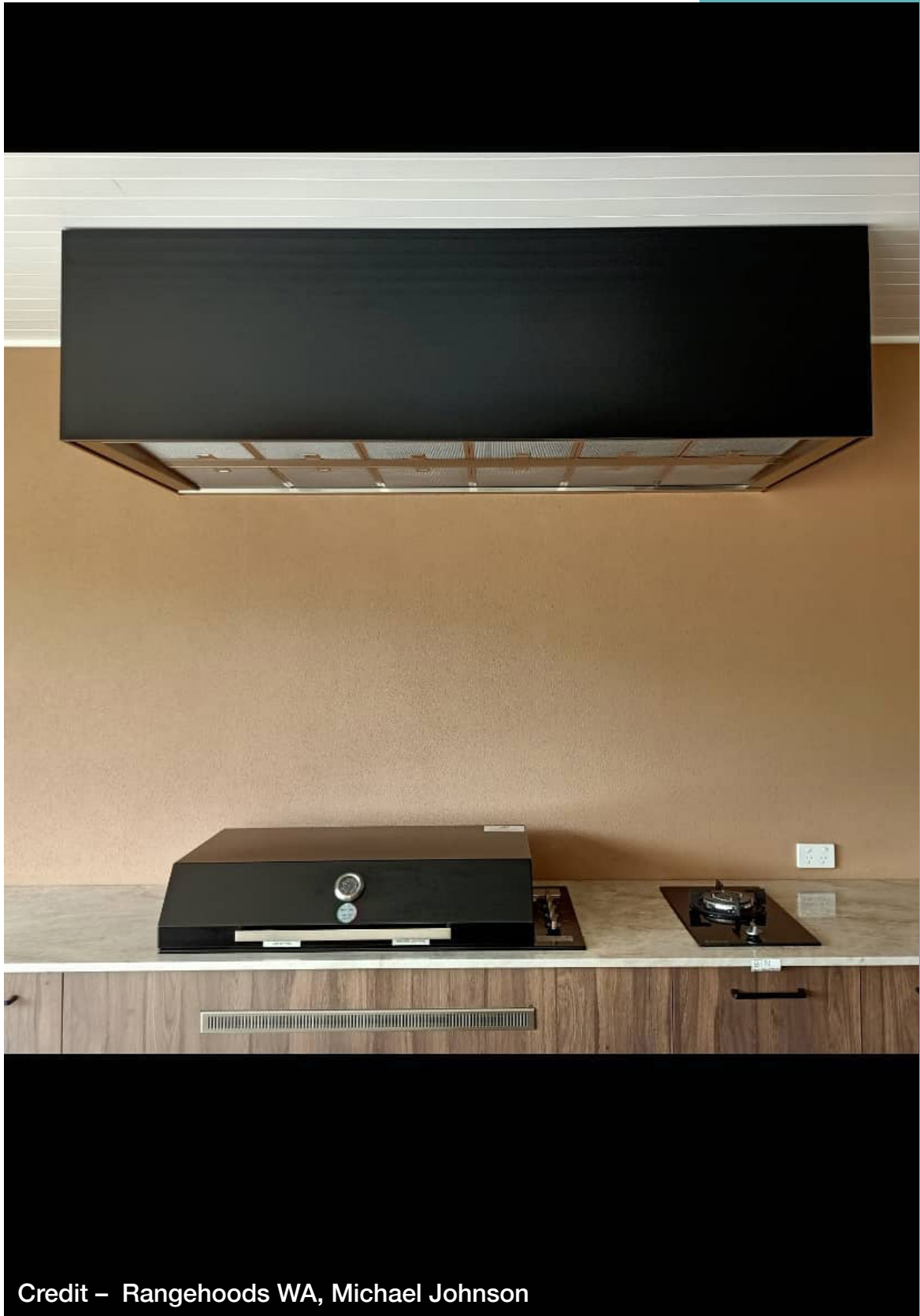
Condor filters have eight layers of metal to capture small and large grease particulates. They have a resistance to airflow of 30 Pascals, which dramatically reduces the noise. They are dishwasher-safe.

TOP AND BACK DUCTED WITHIN THE RANGEHOOD

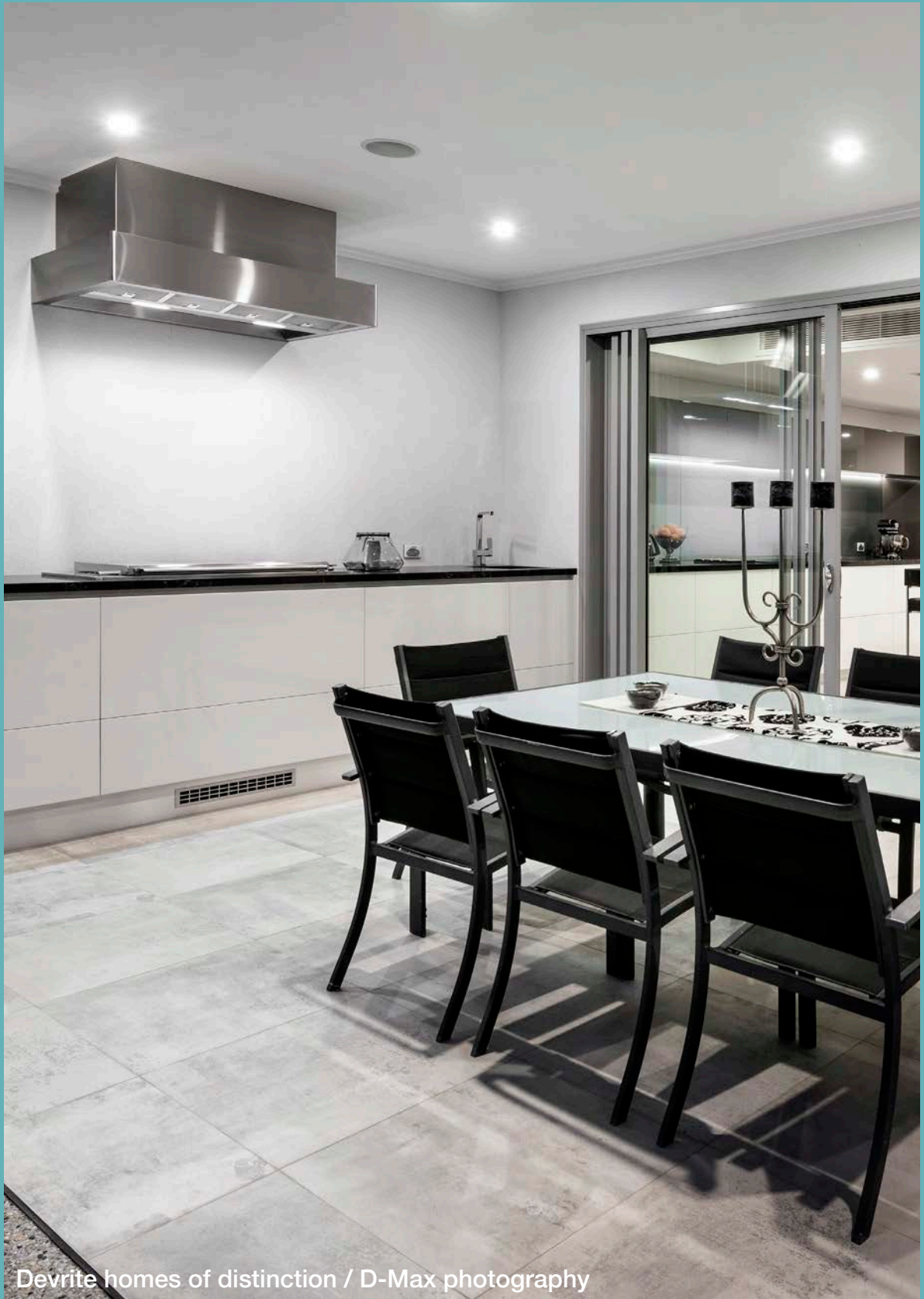


The Condor Rangehoods – Baltimore, Boston, Clifton and Beechworth come top ducted and can be reversed on site by the installer.

The pictures show the top and back ducted situations and the instructions explain how to reverse them if required.



Credit – Rangehoods WA, Michael Johnson



Devrite homes of distinction / D-Max photography

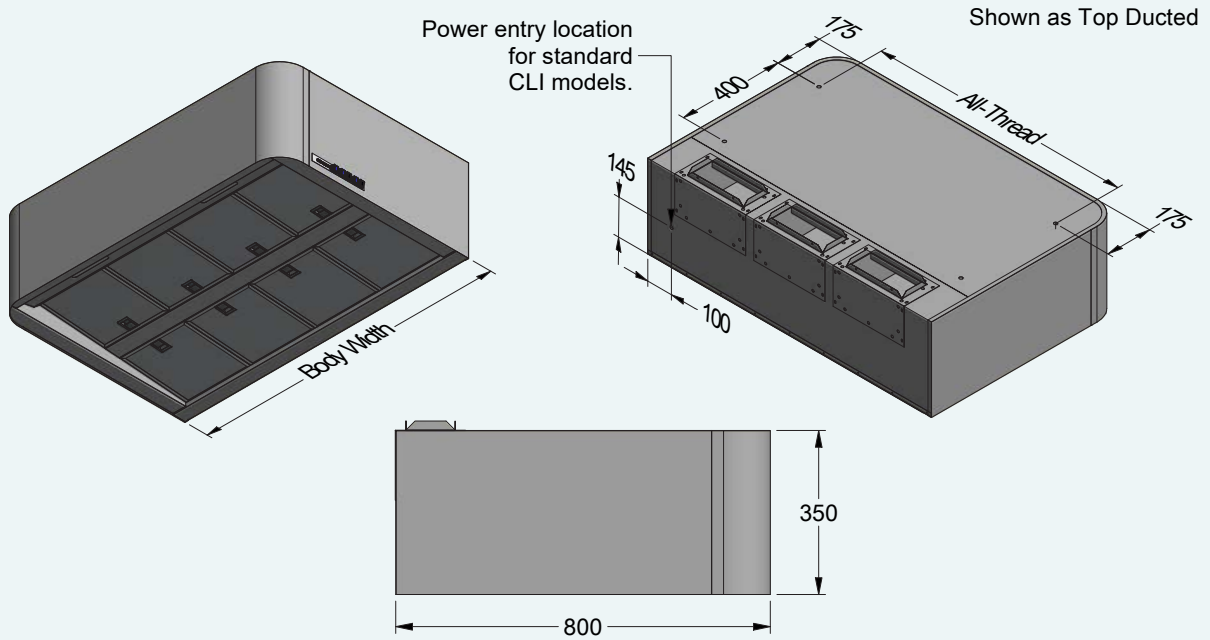


CLIFTON

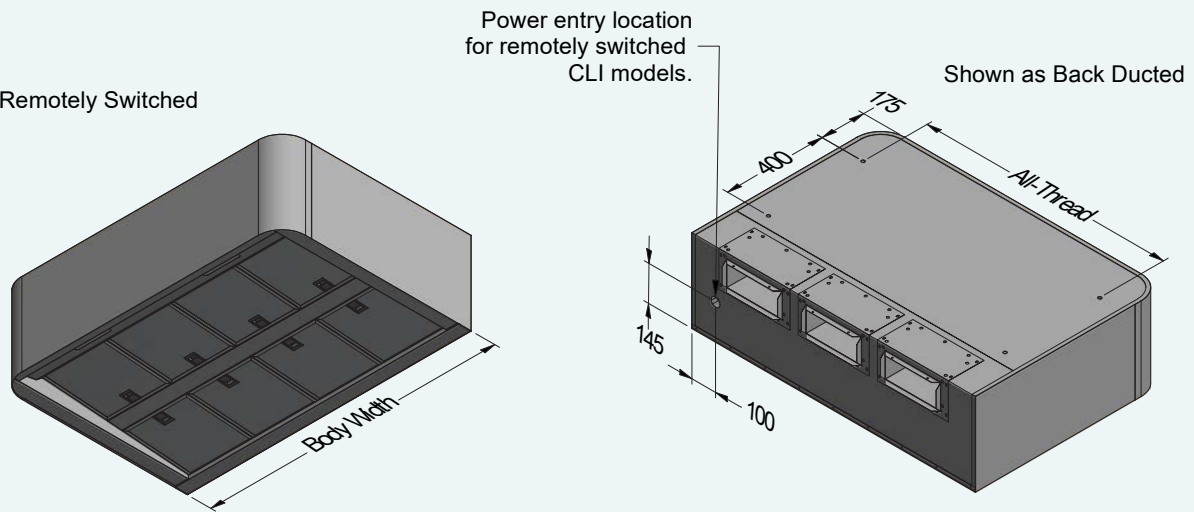


CLIFTON WALL MOUNTED

Side switching



Remotely Switched



Clifton models require Qasair ducting.

Clifton comes top ducted and can be converted to back ducting on site.

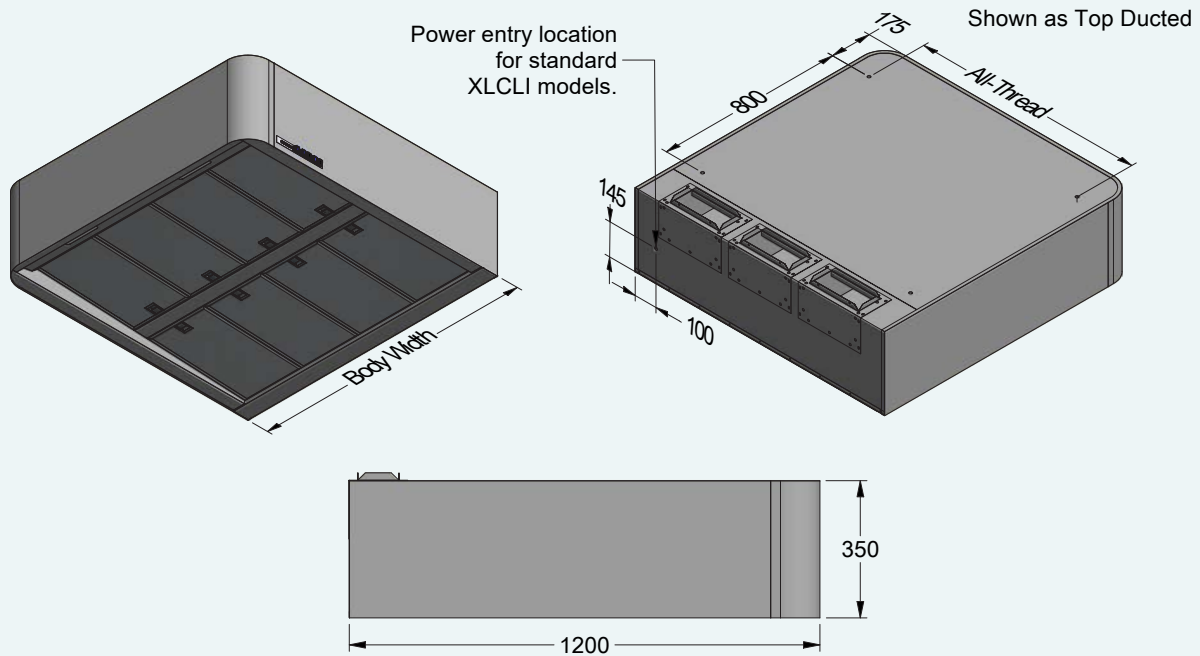
Model	Model	Body Width	No. of Lights	Light Centres	No. of Filters	Filter Size
CLI 1200L-3	CLI 1200L-3R	1200mm	2	545mm	8	272 x 290mm
CLI 1500L-3	CLI 1500L-3R	1500mm	3	459mm	10	272 x 290mm

R - Remote switch model.

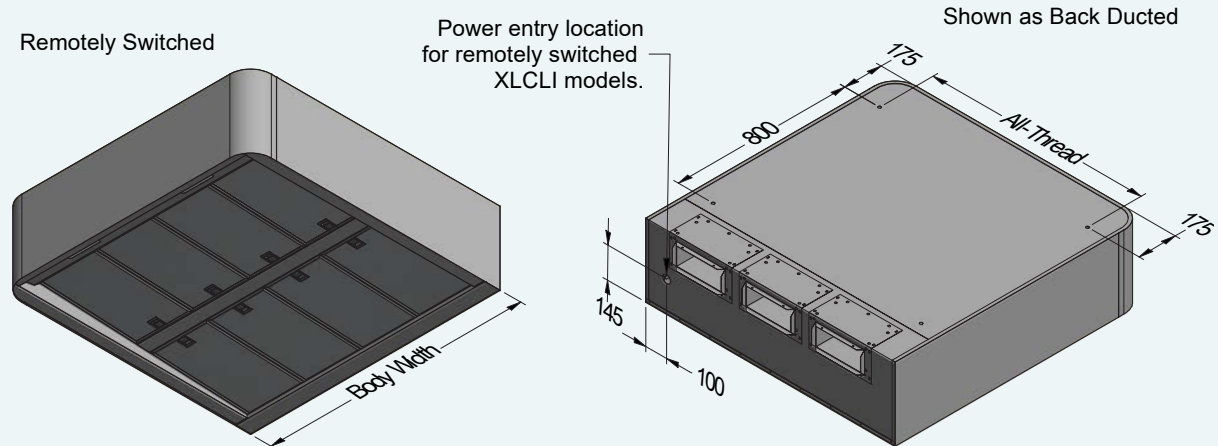
WARNING: Dimensions shown are accurate at time of printing but CONDARI reserves the right to change specifications without notice. For building purposes the unit should be provided to the cabinet maker / builder / kitchen designer for exact measurements.

XL CLIFTON WALL MOUNTED

Side switching



Remotely Switched



XL Clifton models require Qasair ducting.

Clifton comes top ducted and can be converted to back ducting on site.

Model	Model	Body Width	No. of Lights	Light Centres	No. of Filters	Filter Size
XLCLI 1200L-3	XLCLI 1200L-3R	1200mm	2	545mm	8	272 x 480mm
XLCLI 1500L-3	XLCLI 1500L-3R	1500mm	3	459mm	10	272 x 480mm

R - Remote switch model.

PLEASE NOTE: 'R' at the end of the Model No. denotes remote switch. For remote switch models switching is not supplied. Electrical connection is made at Junction Box inside rangehood.

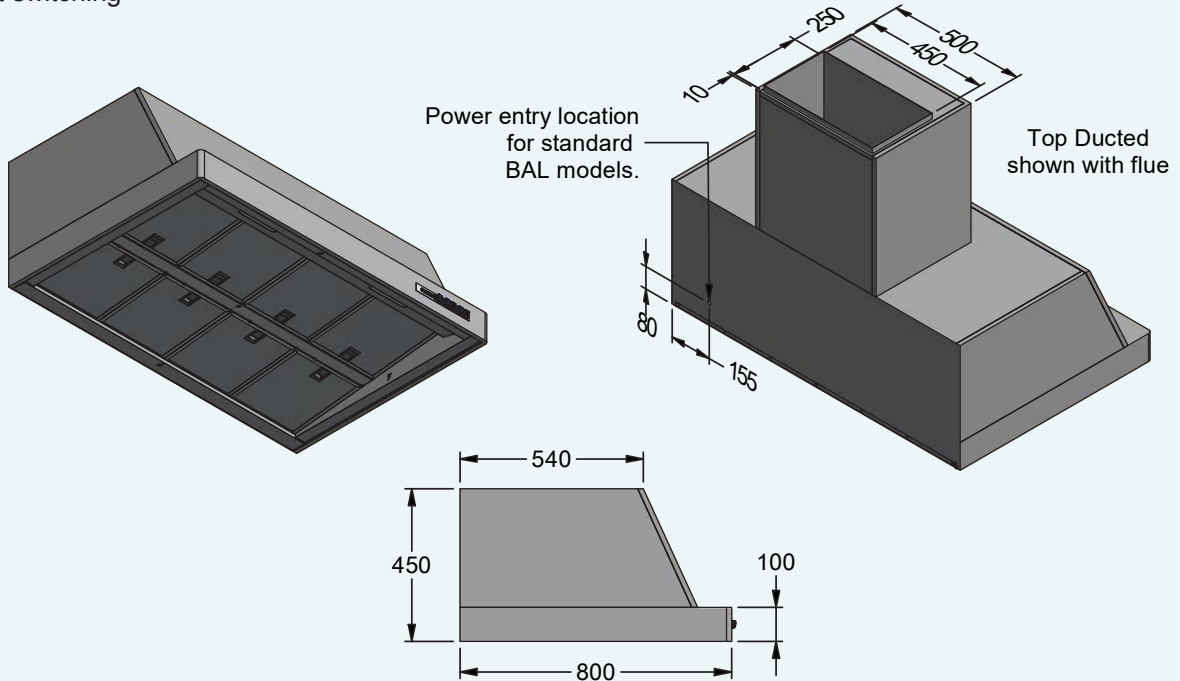


BALTIMORE

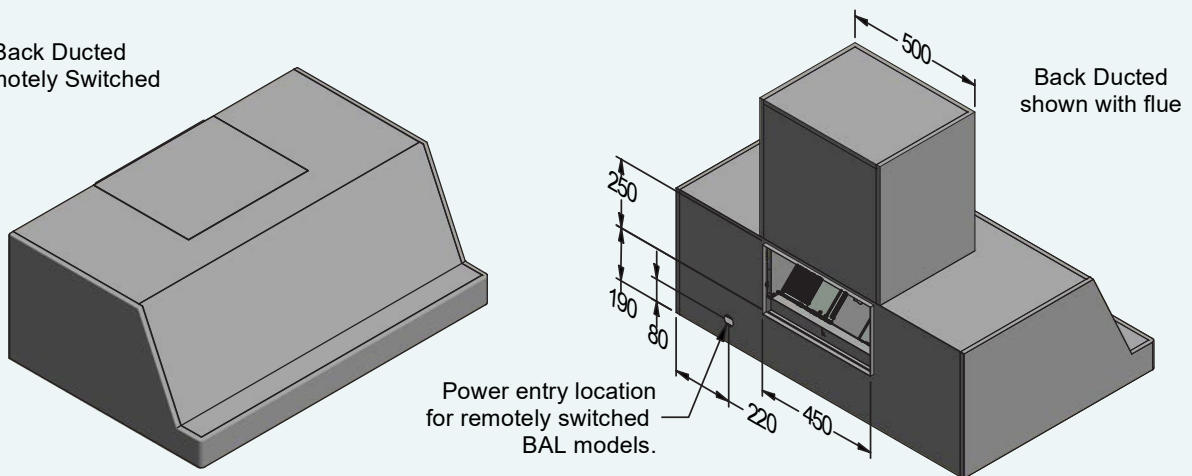


BALTIMORE WALL MOUNTED

Front switching



Back Ducted Remotely Switched



Baltimore comes top ducted and can be converted to back ducted on site.

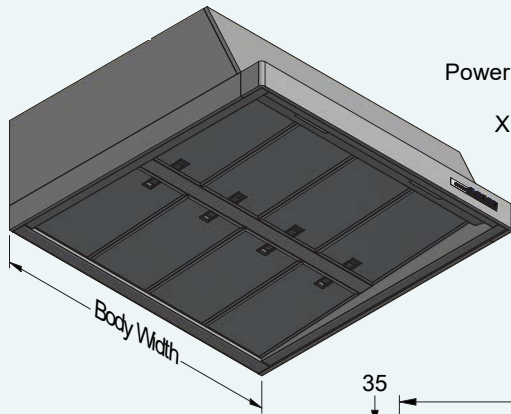
Model	Model	Body Width	No. of Lights	Light Centres	No. of Filters	Filter Size
BAL 1200L-3	BAL 1200L-R	1200mm	2	545mm	8	272 x 290mm
BAL 1500L-3	BAL 1500L-R	1500mm	3	459mm	6	272 x 290mm

R - Remote switch model.

WARNING: Dimensions shown are accurate at time of printing but CONDARI reserves the right to change specifications without notice. For building purposes the unit should be provided to the cabinet maker / builder / kitchen designer for exact measurements.

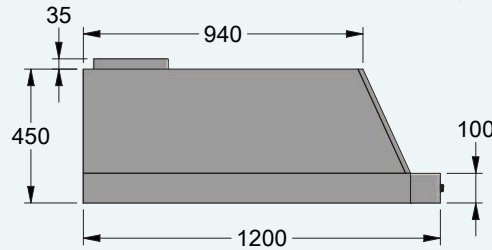
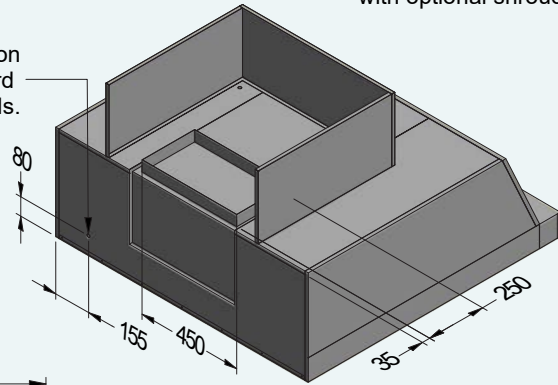
XL BALTIMORE WALL MOUNTED

Front switching

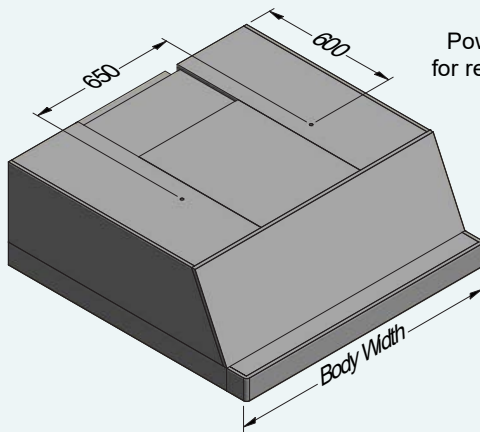


Top Ducted shown with optional shroud

Power entry location for standard XLBAL models.



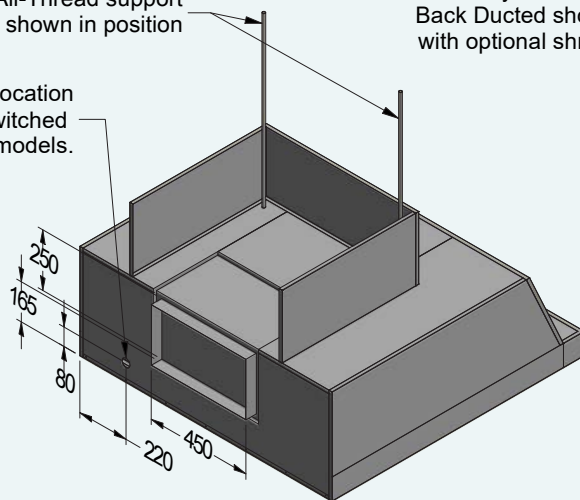
Back Ducted Remotely Switched



All-Thread support shown in position

Remotely Switched Back Ducted shown with optional shroud

Power entry location for remotely switched XLBAL models.



Baltimore comes top ducted and can be converted to back ducted on site.

Model	Model	Body Width	No. of Lights	Light Centres	No. of Filters	Filter Size
XLBAL 1200L-3	XLBAL 1200L-R	1200mm	2	545mm	8	272 x 480mm
XLBAL 1500L-3	XLBAL 1500L-R	1500mm	3	459mm	10	272 x 480mm

R - Remote switch model.

PLEASE NOTE: 'R' at the end of the Model No. denotes remote switch. For remote switch models switching is not supplied. Electrical connection is made at Junction Box inside rangehood.

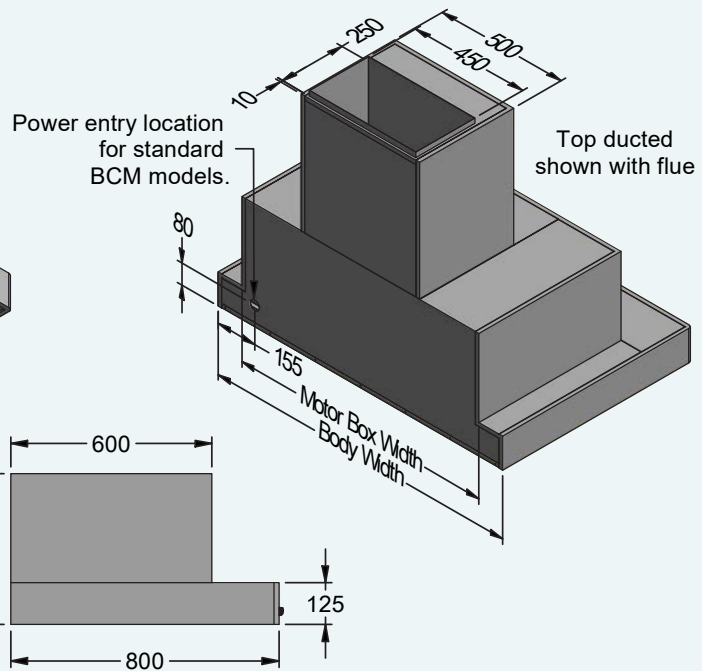
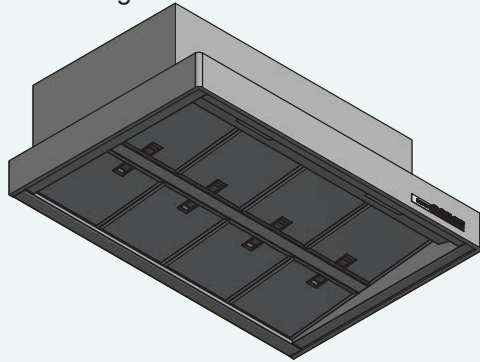


BOSTON

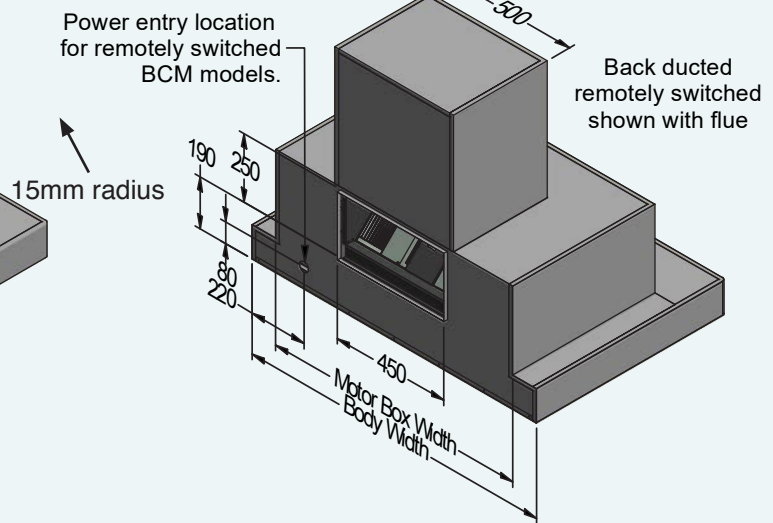
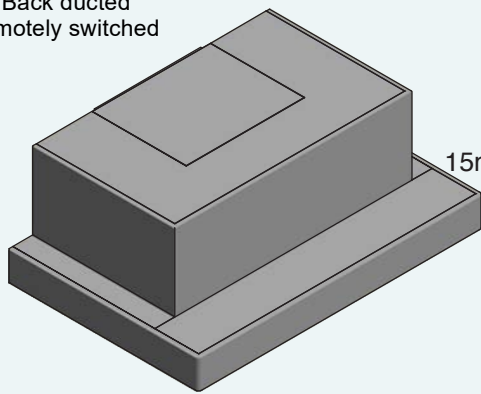


BOSTON WALL MOUNTED

Side switching



Back ducted remotely switched



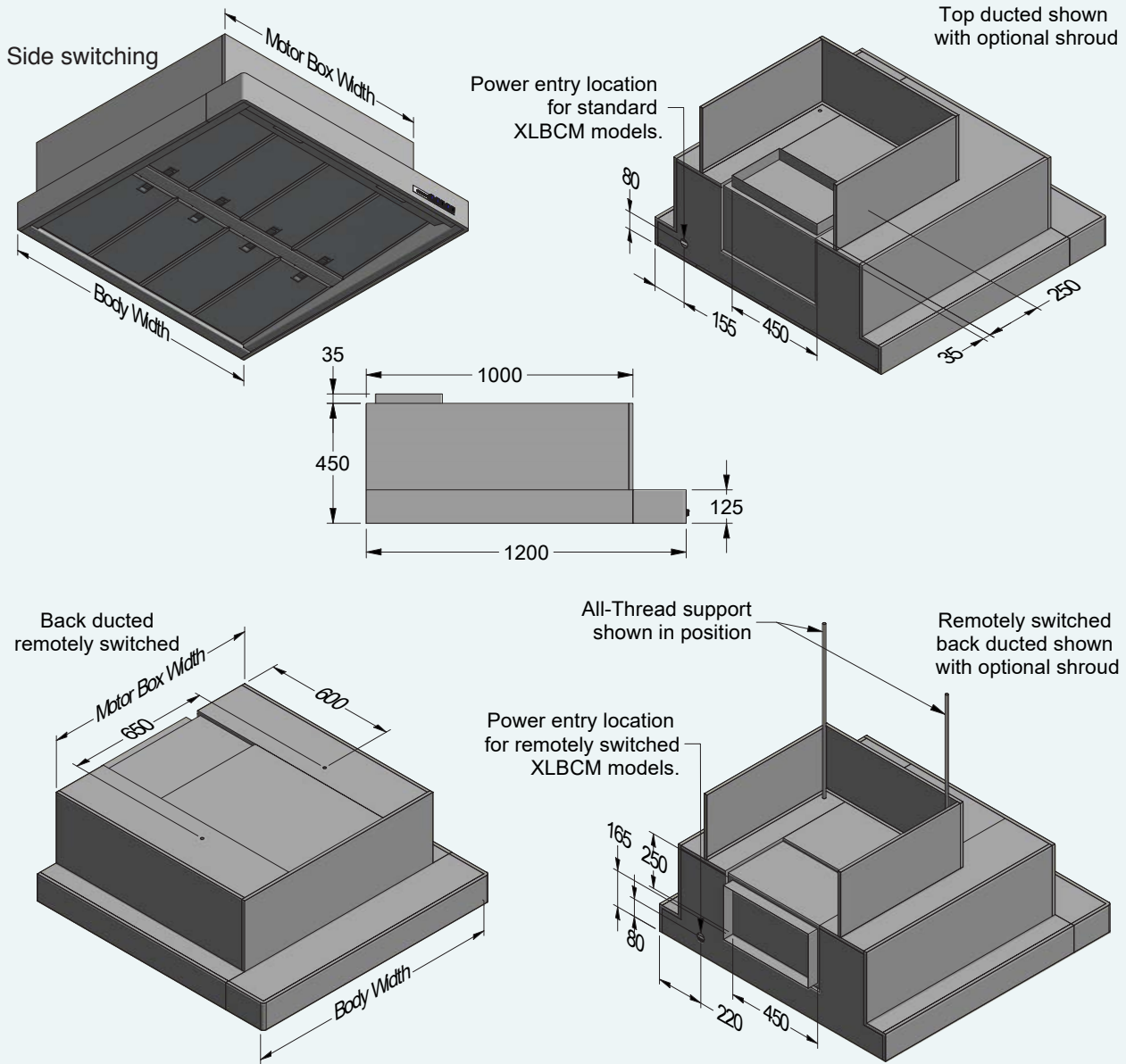
Boston comes top ducted and can be converted to back ducted on site.

Model	Model	Body Width	No. of Lights	Light Centres	No. of Filters	Filter Size
BCM 1200L-3	BCM 1200L-3R	1200mm	2	545mm	8	272 x 290mm
BCM 1500L-3	BCM 1500L-3R	1500mm	3	459mm	6	459 x 290mm

R - Remote switch model.

WARNING: Dimensions shown are accurate at time of printing but CONDARI reserves the right to change specifications without notice. For building purposes the unit should be provided to the cabinet maker / builder / kitchen designer for exact measurements.

XL BOSTON WALL MOUNTED



Boston comes top ducted and can be converted to back ducted on site.

Model	Model	Body Width	No. of Lights	Light Centres	No. of Filters	Filter Size
XLBCM 1200L-3	XLBCM 1200L-3R	1200mm	2	545mm	8	272 x 480mm
XLBCM 1500L-3	XLBCM 1500L-3R	1500mm	3	459mm	10	272 x 480mm

R - Remote switch model.

PLEASE NOTE: 'R' at the end of the Model No. denotes remote switch. For remote switch models switching is not supplied. Electrical connection is made at Junction Box inside rangehood.

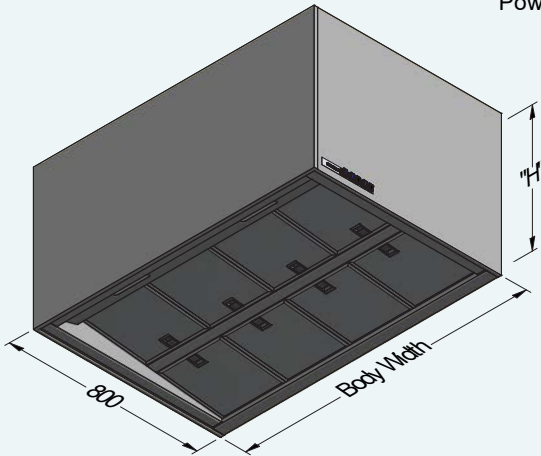


EYRE



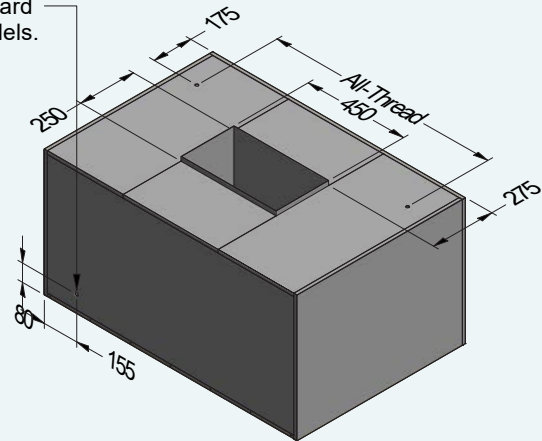
EYRE WALL MOUNTED

Side switching



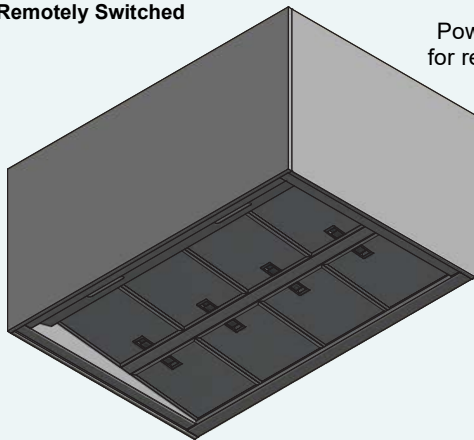
Top Ducted

Power entry location for standard EYR models.

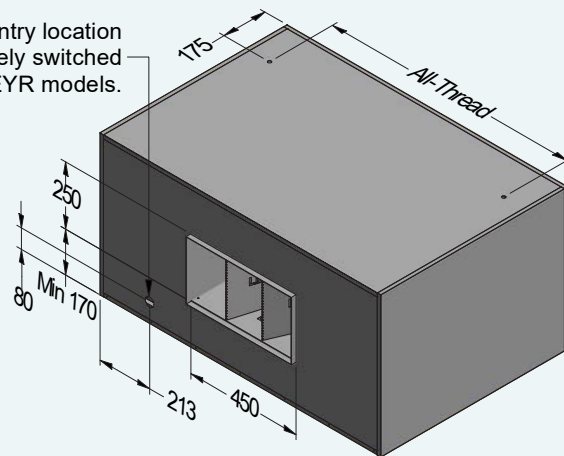


Back Ducted

Remotely Switched



Power entry location for remotely switched EYR models.



H = Height
Maximum height 1160mm
Minimum height 500mm

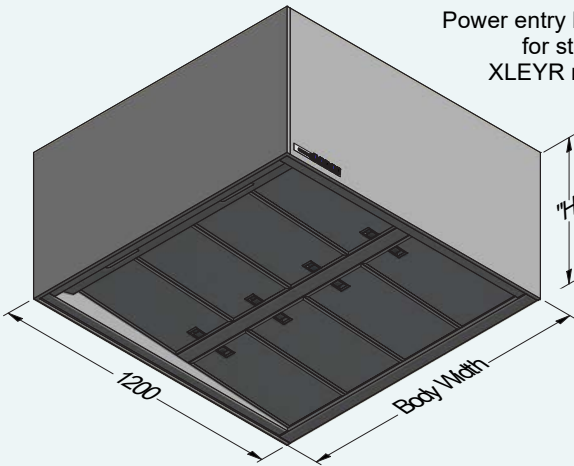
Model	Model	Body Width	No. of Lights	Light Centres	No. of Filters	Filter Size
EYR 1200L-3	EYR 1200L-3R	1200mm	2	545mm	8	272 x 290mm
EYR 1500L-3	EYR 1500L-3R	1500mm	3	459mm	6	459 x 290mm

R - Remote switch model.

WARNING: Dimensions shown are accurate at time of printing but CONDARI reserves the right to change specifications without notice. For building purposes the unit should be provided to the cabinet maker / builder / kitchen designer for exact measurements.

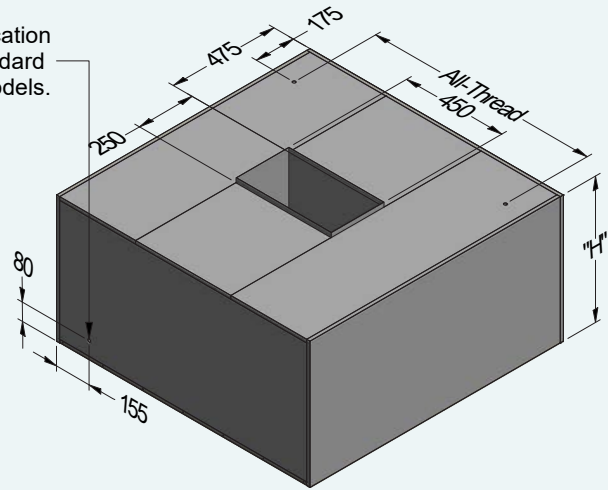
XLEYRE WALL MOUNTED

Side switching

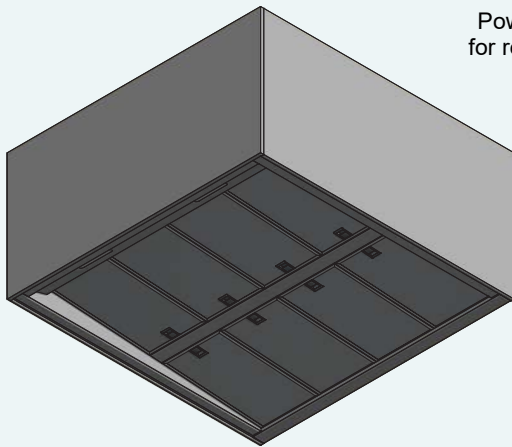


Top Ducted

Power entry location for standard XLEYR models.

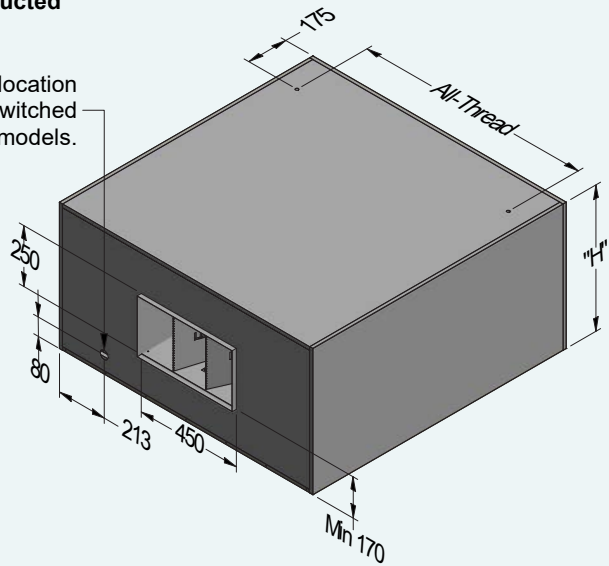


Remotely Switched



Back Ducted

Power entry location for remotely switched XLEYR models.



H = Height
Maximum height 1160mm
Minimum height 500mm

Model	Model	Body Width	No. of Lights	Light Centres	No. of Filters	Filter Size
XLEYR 1200L-3	XLEYR 1200L-3R	1200mm	2	545mm	8	272 x 480mm
XLEYR 1500L-3	XLEYR 1500L-3R	1500mm	3	459mm	10	272 x 480mm

R - Remote switch model.

PLEASE NOTE: 'R' at the end of the Model No. denotes remote switch. For remote switch models switching is not supplied. Electrical connection is made at Junction Box inside rangehood.

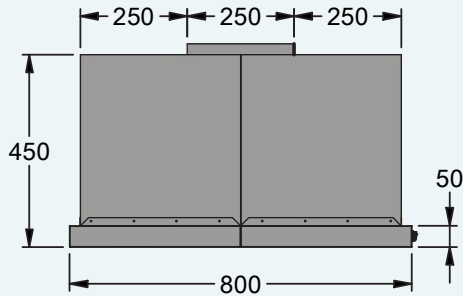


AUSTIN

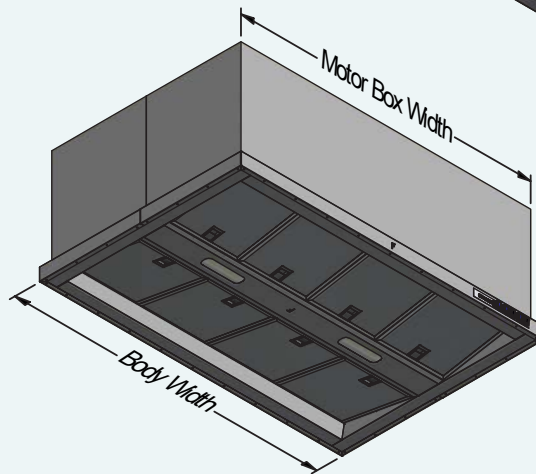
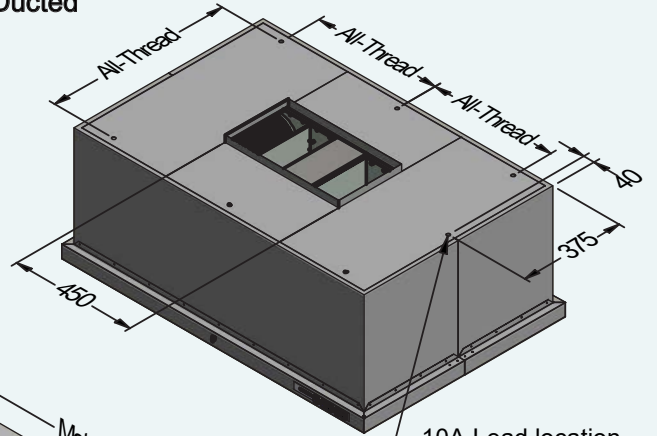


AUSTIN UNDER CUPBOARD

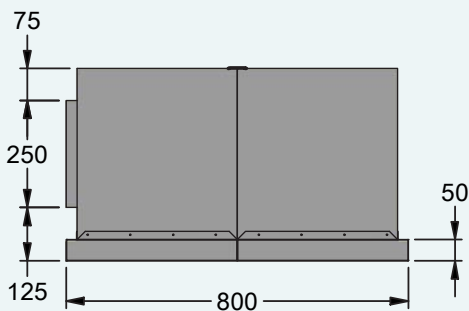
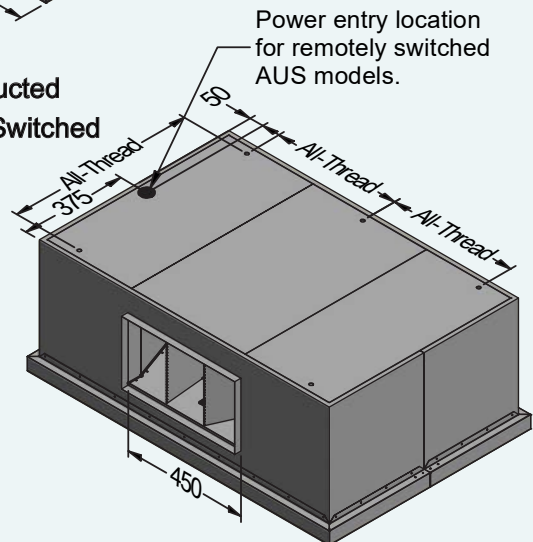
Front switching or Remote switching



Top Ducted



Back Ducted Remotely Switched



Austin models come either top or back ducted.

Model	Model	Body Width	No. of Lights	Light Centres	No. of Filters	Filter Size
AUS 1000L-3	AUS 1000L-3R	1000mm	2	580mm	6	290 x 290mm
AUS 1200L-3	AUS 1200L-3R	1200mm	2	545mm	8	272 x 290mm
AUS 1500L-3	AUS 1500L-3R	1500mm	3	459mm	6	459 x 290mm

WARNING: Dimensions shown are accurate at time of printing but CONDARI reserves the right to change specifications without notice. For building purposes the unit should be provided to the cabinet maker / builder / kitchen designer for exact measurements.



Credit – Azure Luxury Homes / D-Max Photography



Credit – Real Constructions / All Things Visual

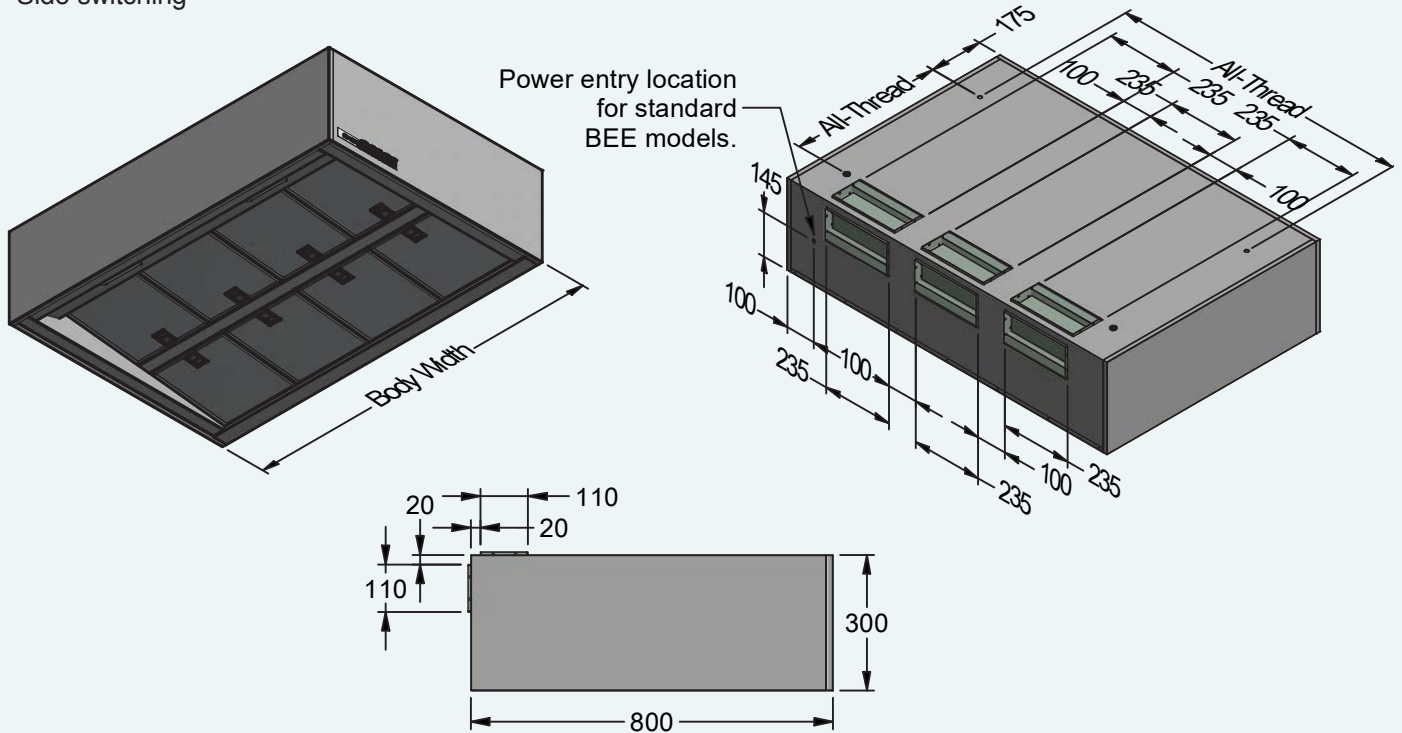
BEECHWORTH



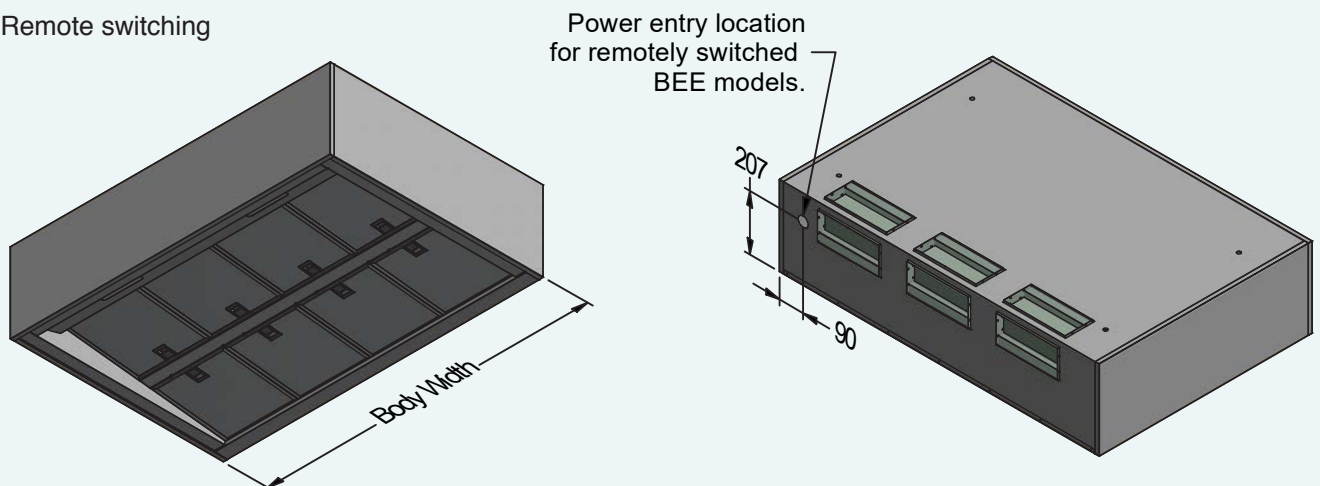
BEECHWORTH

WALL MOUNTED

Side switching



Remote switching



Beechworth models require Qasair ducting.

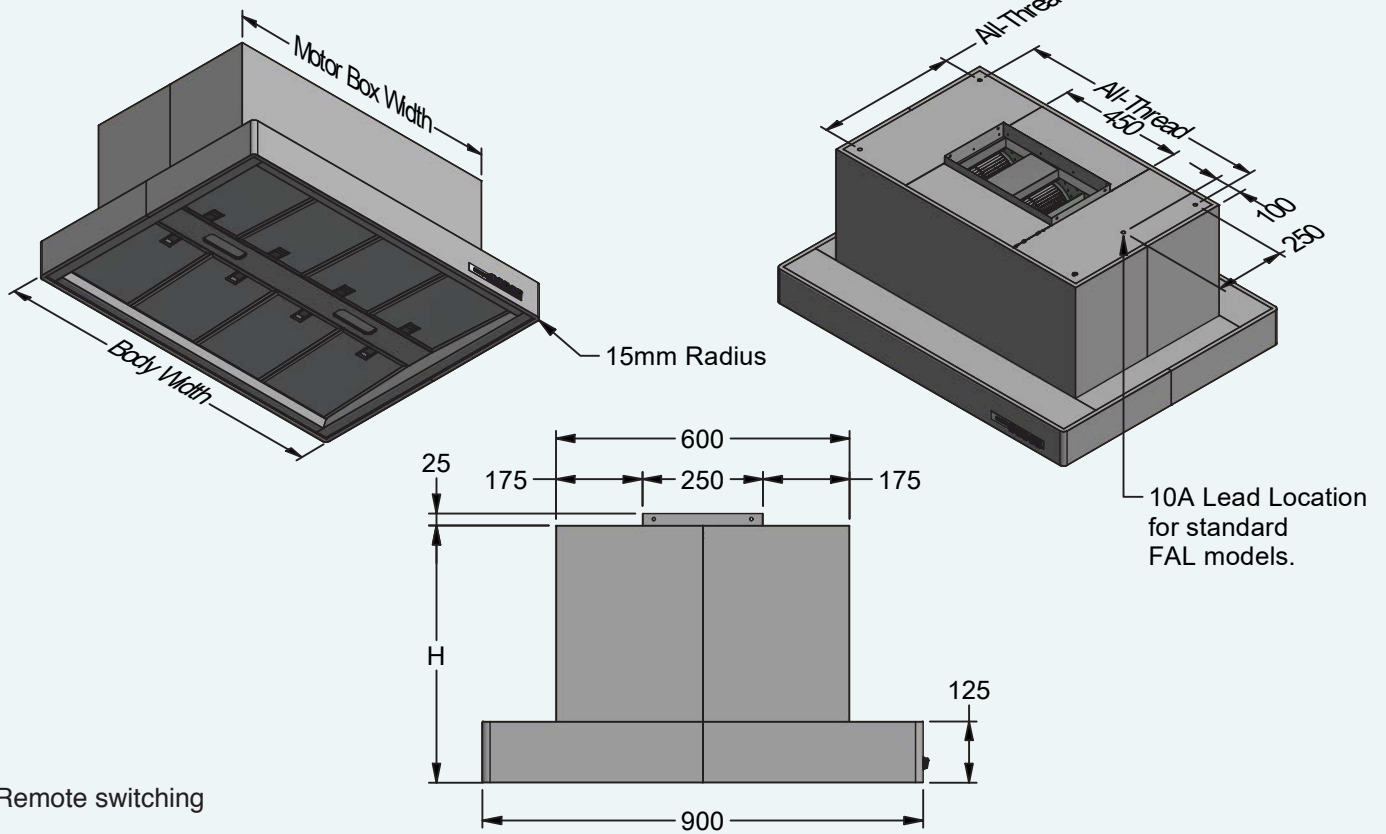
Beechworth comes top ducted and can be converted to back ducting on site.

Model	Model	Body Width	No. of Lights	Light Centres	No. of Filters	Filter Size
BEE 1200L-3	BEE 1200L-3R	1200mm	2	545mm	8	272 x 290mm
BEE 1500L-3	BEE 1500L-3R	1500mm	3	459mm	6	459 x 290mm

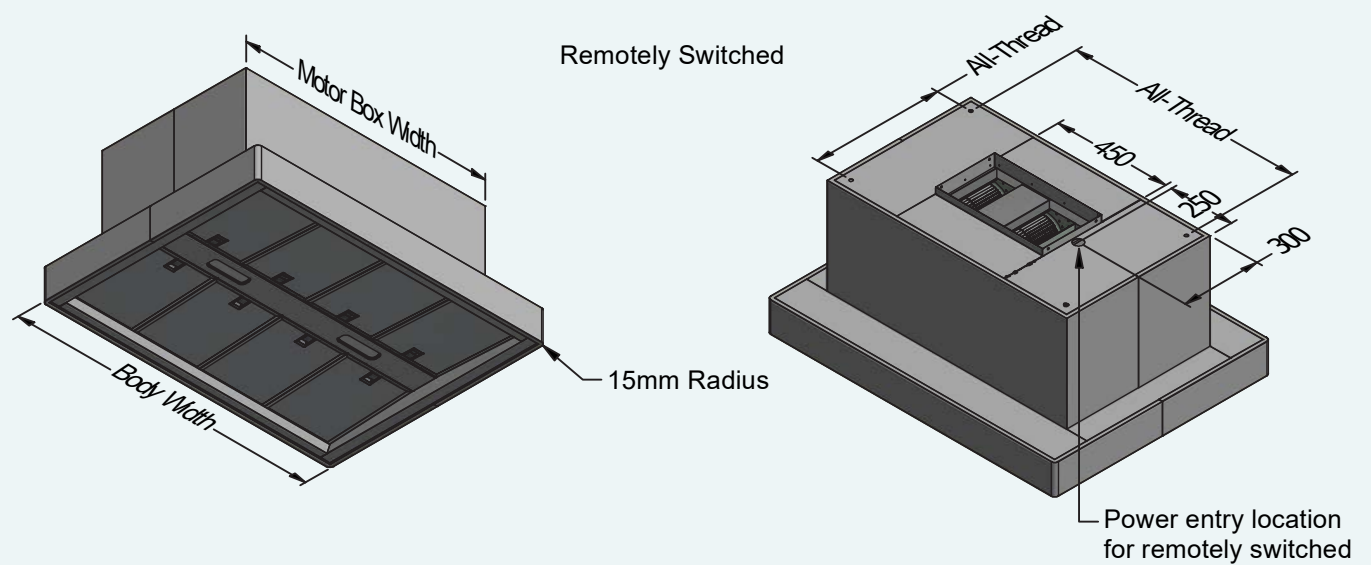
WARNING: Dimensions shown are accurate at time of printing but CONDARI reserves the right to change specifications without notice. For building purposes the unit should be provided to the cabinet maker / builder / kitchen designer for exact measurements.



Front switching



Remote switching



H = Height
 Maximum height 1275mm
 Minimum height 480mm

Falcon models come top ducted only.

Model	Model	Body Width	Motor Box Width	Mounting Centres	No. of Lights	No. of Filters	Filter Size
FAL 1200L-3	FAL 1200L-3R	1200mm	1000mm	900mm x 500mm	2	8	272 x 355mm
FAL 1500L-3	FAL 1500L-3R	1500mm	1300mm	1200mm x 500mm	3	10	272 x 355mm

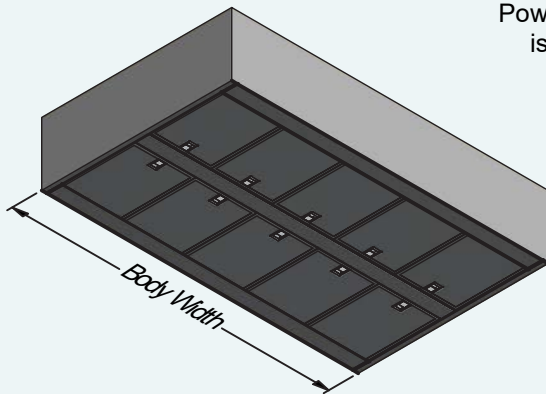
PLEASE NOTE: 'R' at the end of the Model No. denotes remote switch. For remote switch models switching is not supplied. Electrical connection is made at Junction Box inside rangehood.

FALCON

CEILING MOUNTED

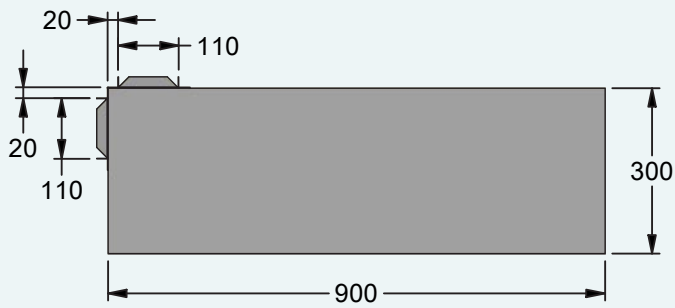
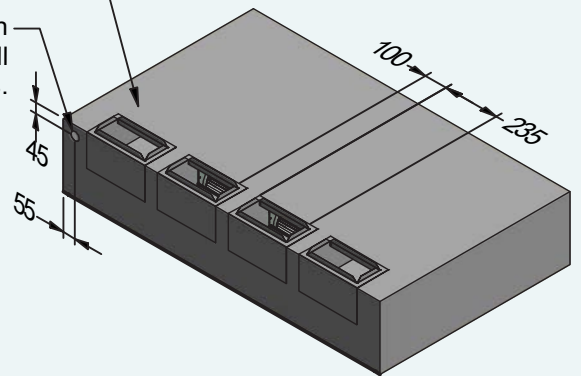


Remote switching only

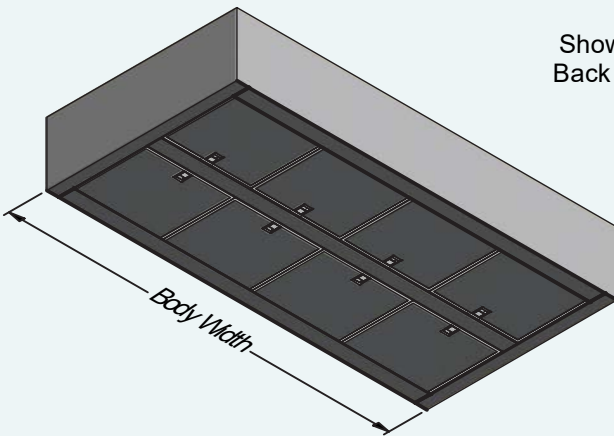
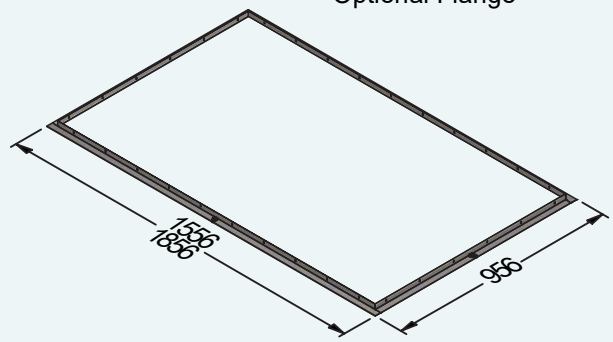


Showing as Top Ducted

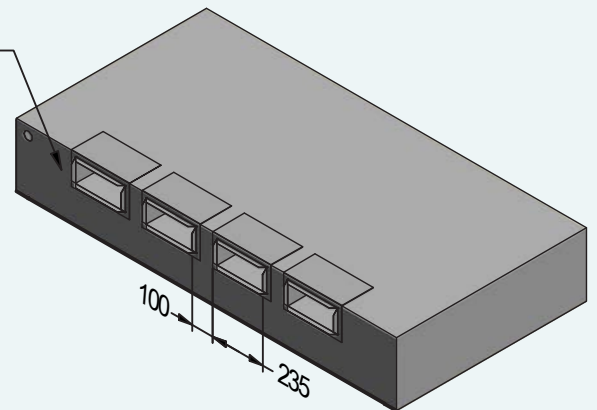
Power entry location is the same for all Tanami models.



Optional Flange



Showing as Back Ducted



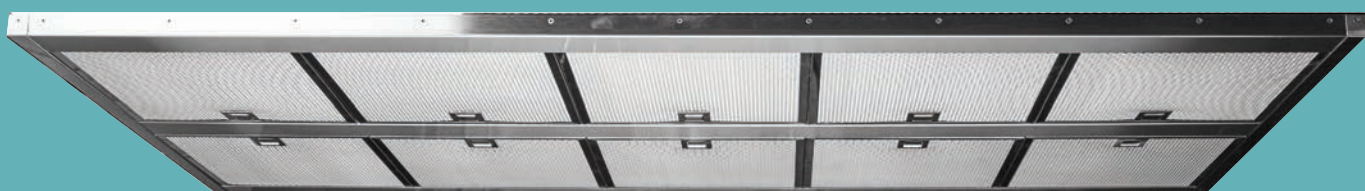
Tanami models require Qasair ducting.

Tanami comes top ducted and can be converted to back ducting on site.

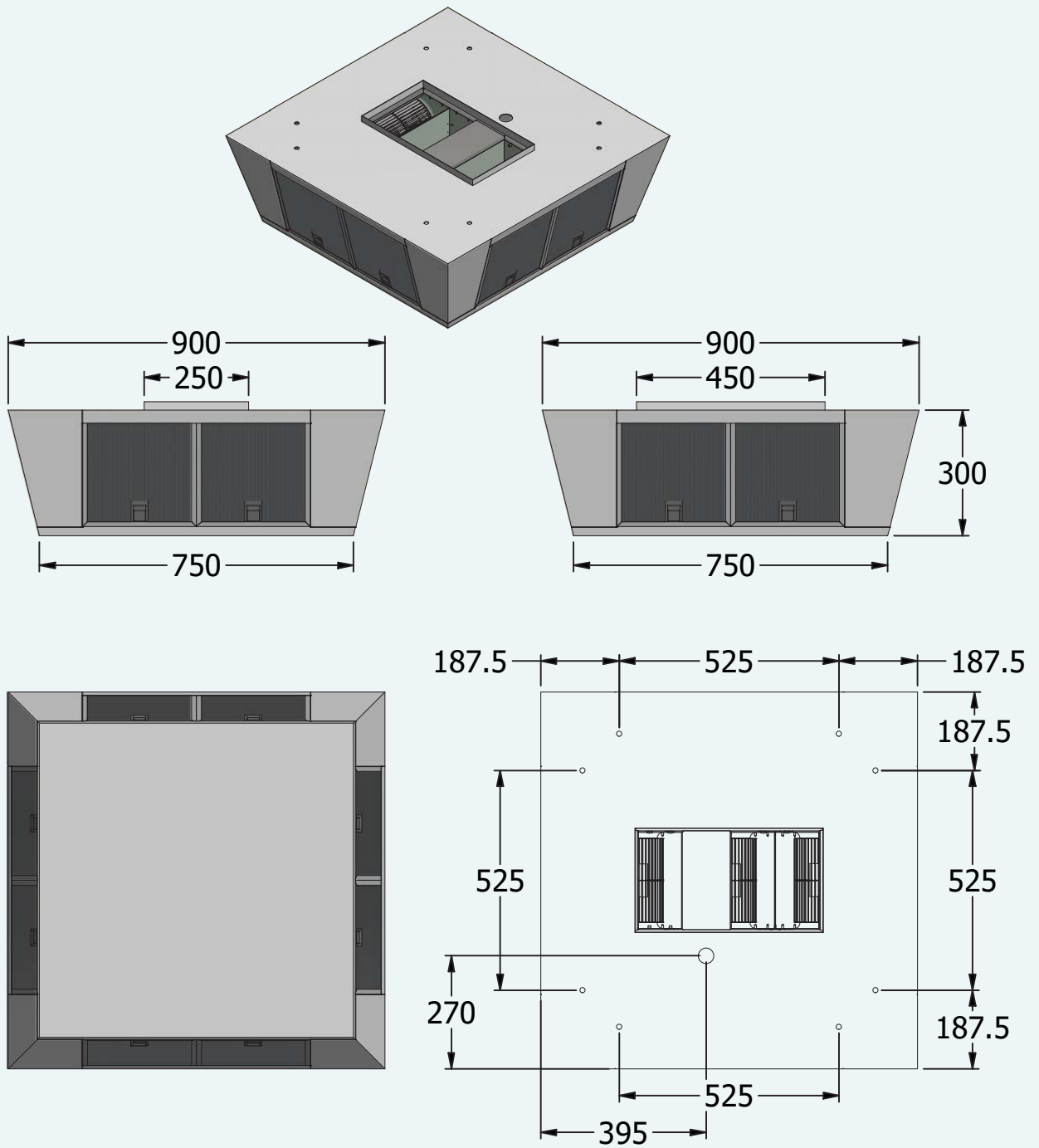
Model	Body Width	No. of Filters	Filter Size
TAN 1500L-4	1500mm	10	290 x 355mm
TAN 1800L-4	1800mm	8	422 x 355mm

PLEASE NOTE: 'R' at the end of the Model No. denotes remote switch. For remote switch models switching is not supplied. Electrical connection is made at Junction Box inside rangehood.

TANAMI CASSETTE



Remote switching only



Model	Body Width	No. of Filters	Filter Size	Finish
PEN 900-3 SW	900mm	8	272 x 272mm	Satin White
PEN 900-3 SS	900mm	8	272 x 272mm	Stainless Steel

WARNING: Dimensions shown are accurate at time of printing but CONDARI reserves the right to change specifications without notice. For building purposes the unit should be provided to the cabinet maker / builder / kitchen designer for exact measurements.

PENINSULA

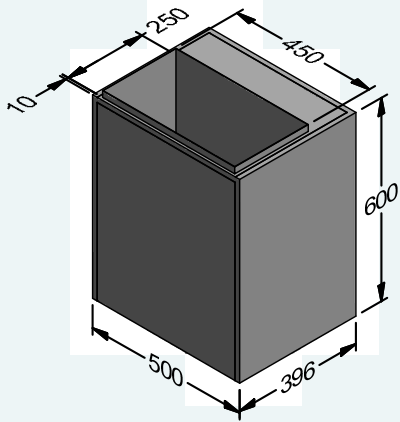
CEILING MOUNTED



FLUES

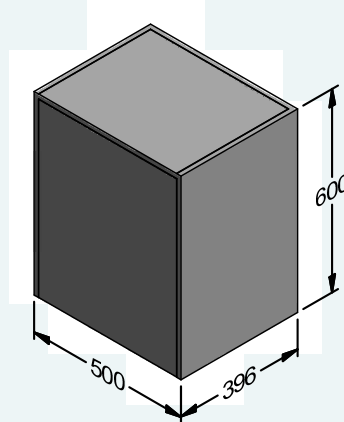
SUITABLE FOR BCM AND BAL MODELS

Top Ducted Flues

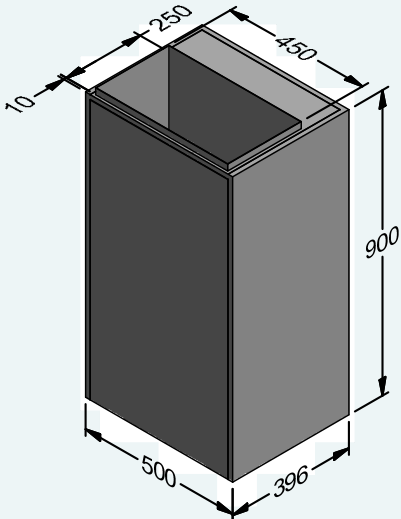


CFL 600 T

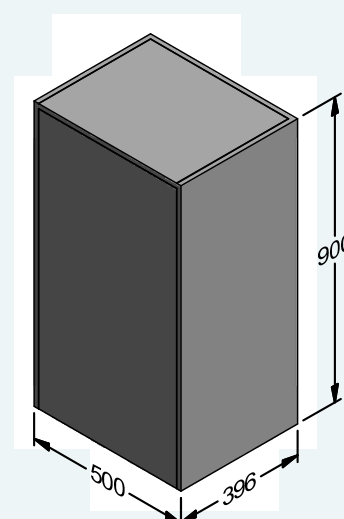
Back Ducted Flues



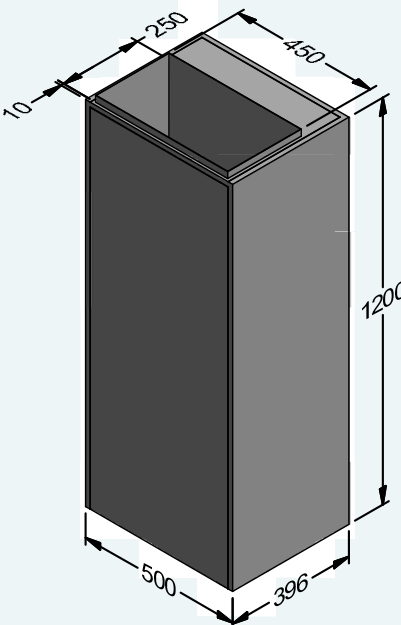
CFL 600 B



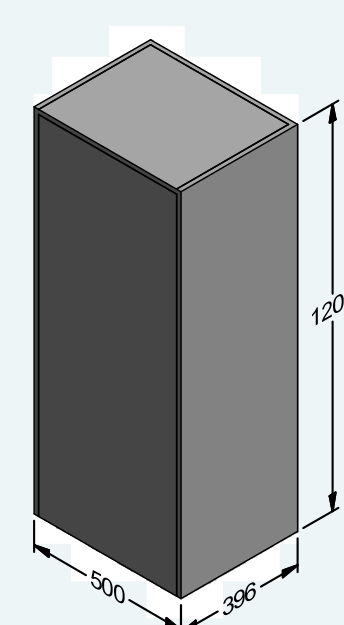
CFL 900 T



CFL 900 B



CFL 1200 T

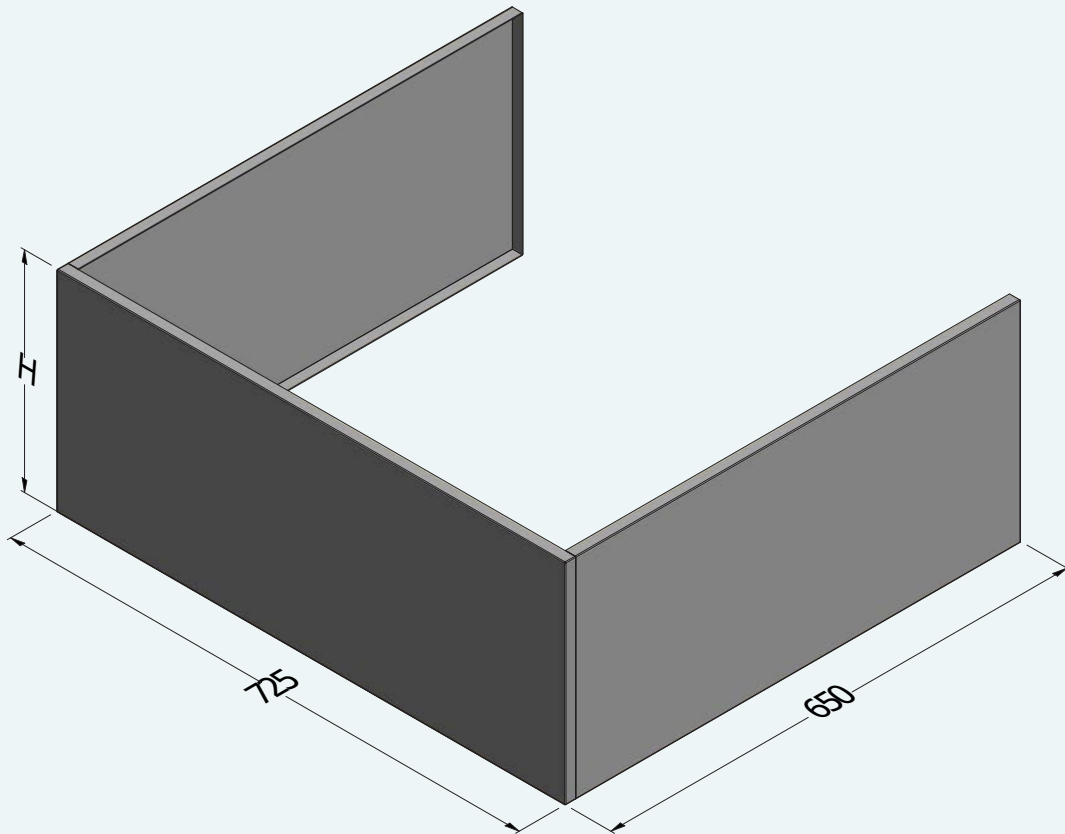


CFL 1200 B

SHROUD

TO SUIT XL BAL/XLBMC MODELS

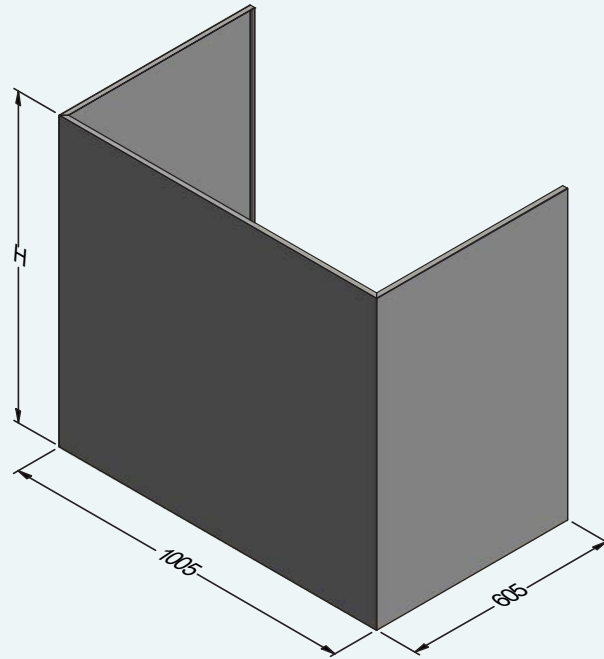
XL BAL/XL BCM SHROUD



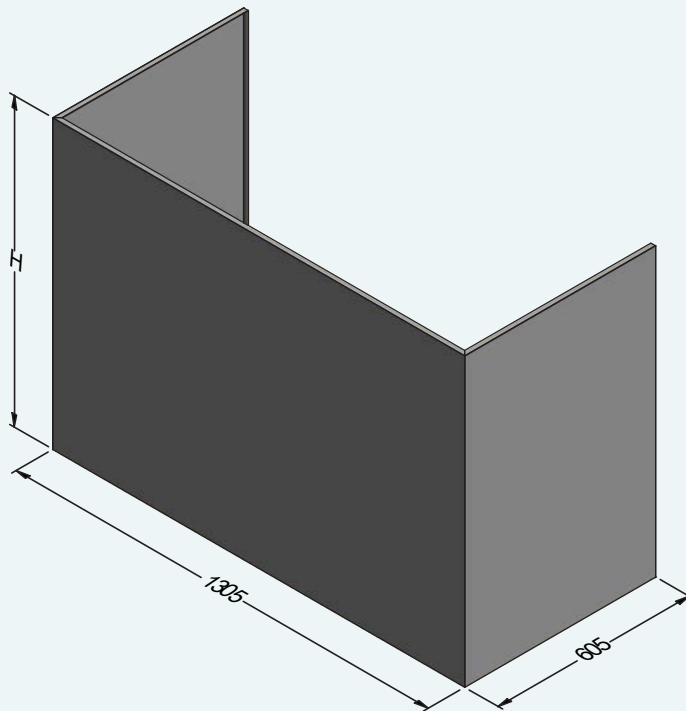
Model	XL BAL/XLBMC SHROUD
Minimum Height	50mm
Maximum Height	1450mm
Coating Available	N/A

WARNING: Dimensions shown are accurate at time of printing but CONDARI reserves the right to change specifications without notice. For building purposes the unit should be provided to the cabinet maker / builder / kitchen designer for exact measurements.

SHROUD TO SUIT BCM MODELS



BCM SHROUD TO SUIT BCM 1200



BCM SHROUD TO SUIT BCM 1500

Model	BCM 1200-3 SHROUD	BCM 1500-3 SHROUD
Minimum Height	325mm	325mm
Maximum Height	1450mm	1450mm
Powderkote® Available	YES	YES

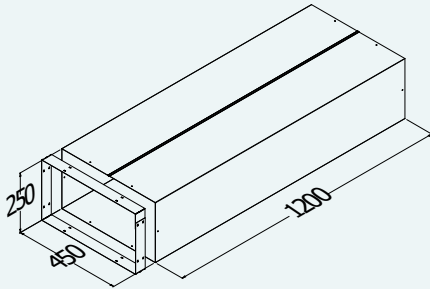
WARNING: Dimensions shown are accurate at time of printing but CONDARI reserves the right to change specifications without notice. For building purposes the unit should be provided to the cabinet maker / builder / kitchen designer for exact measurements.



DUCT PIECES

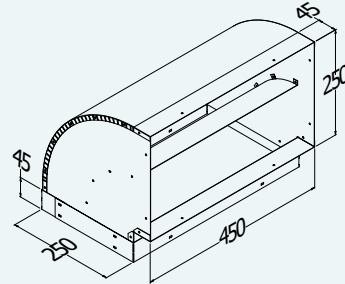
NOTE: Clifton, Beechworth and Tanami models require Qasair ducting.

400. DL-4



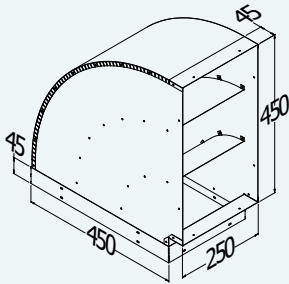
- 400. DL-4
- 400. DL-4 SS
- 400. DL-4 CB
- 400. DL-4 PC

401. HB 450x250



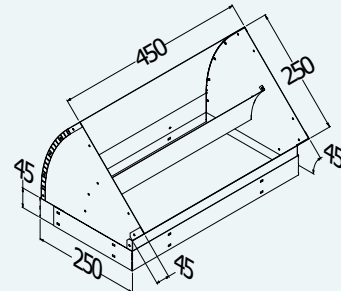
- 401. HB 450 x 250
- 401. HB 450 x 250 SS
- 401. HB 450 x 250 CB
- 401. HB 450 x 250 PC

402. VB 450x250



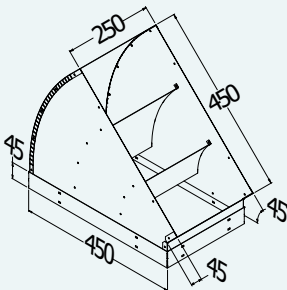
- 402. VB 450 x 250
- 402. VB 450 x 250 SS
- 402. VB 450 x 250 PC

403. HB 450x250/45



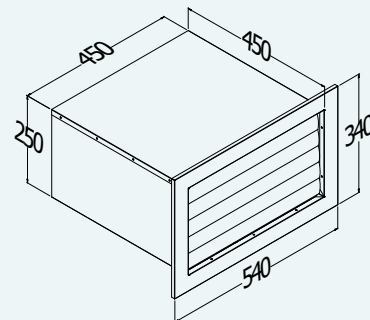
- 403. HB 450 x 250/45
- 403. HB 450 x 250/45 SS
- 403. HB 450 x 250/45 CB
- 403. HB 450 x 250/45 PC

404. VB 450x250/45



- 404. VB 450 x 250/45
- 404. VB 450 x 250/45 SS
- 404. VB 450 x 250/45 CB
- 404. VB 450 x 250/45 PC

405. BD/WV-H 450x250



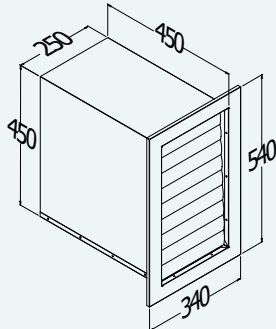
- 405. BD/WV-H 450 x 250
- 405. BD/WV-H 450 x 250 SS
- 405. BD/WV-H 450 x 250 CB
- 405. BD/WV-H 450 x 250 PC

Ventilation Systems Ducted Systems

All ducting pieces are made in Zinc Alume, Stainless Steel, Colourbond material or are powderkoted in a colour.

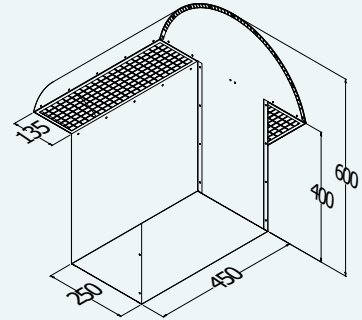
SS: Stainless Steel CB: Colourbond PC: Powderkote

406. BD/WV-V 450x250



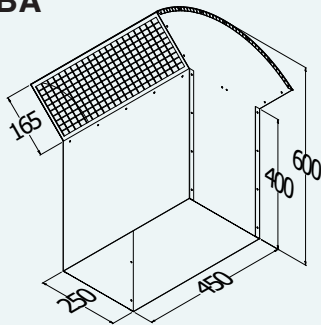
- 406. BD/WV-V 450 x 250
- 406. BD/WV-V 450 x 250 SS
- 406. BD/WV-V 450 x 250 CB
- 406. BD/WV-V 450 x 250 PC

407. RCB



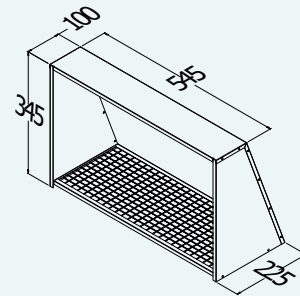
- 407. RCB
- 407. RCB SS
- 407. RCB CB
- 407. RCB PC

408. RCBA



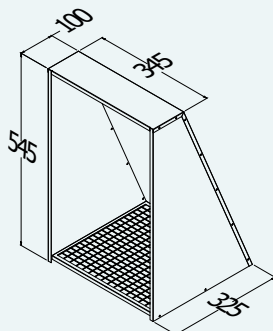
- 408. RCBA
- 408. RCBA SS
- 408. RCBA CB
- 408. RCBA PC

409. WVC-H-450x250



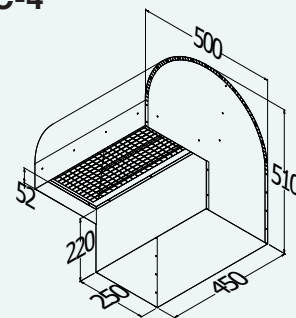
- 409. WVC-H-450 x 250
- 409. WVC-H-450 x 250 SS
- 409. WVC-H-450 x 250 CB
- 409. WVC-H-450 x 250 PC

410. WVC-V-450x250



- 410. WVC-V-450 x 250
- 410. WVC-V-450 x 250 SS
- 409. WVC-H-450 x 250 CB
- 409. WVC-H-450 x 250 PC

411. BD RC-4



- 410. BD RC-4
- 410. BD RC-4 SS
- 410. BD RC-4 CB
- 410. BD RC-4 PC

WARNING

Dimensions shown are accurate at the time of printing but Condari reserves the right to change specifications without notice. For building purposes the unit should be provided to the cabinet maker/builder/kitchen designer for exact measurements.



Credit - Interior Design by Jo





Manufactured in Australia by Condari Pty Ltd
T 1300 360 563
www.condari.com.au

Head office VIC
T 03 9482 7088
Email: sales@qasair.com.au

NSW / ACT
T 02 9316 4599
Email: salesnsw@qasair.com.au

QLD
T 07 3423 3503
Email: salesqld@qasair.com.au

SA / NT
T 1300 360 563
Email: salessa@qasair.com.au

TAS
T 03 9482 7088
Email: sales@qasair.com.au

WA
T 08 9242 5387
Email: saleswa@qasair.com.au

New Zealand - Kouzina Appliances
T +64 9 377 7822
Email: sales@kouzina.co.nz
www.kouzina.co.nz

Singapore - Eldric Marketing
T +65 6339 1188
Email: enquiry@eldric.sg
www.eldric.sg

Indonesia - PT. Multi Elexindo Indah
T +62 21 723 7888
Email: inquiry@mulxindo.id
www.mulxindo.id



www.condari.com.au

RANGEHOODS MADE IN RINGWOOD 3134
Condari reserves the right to change specification without notice.