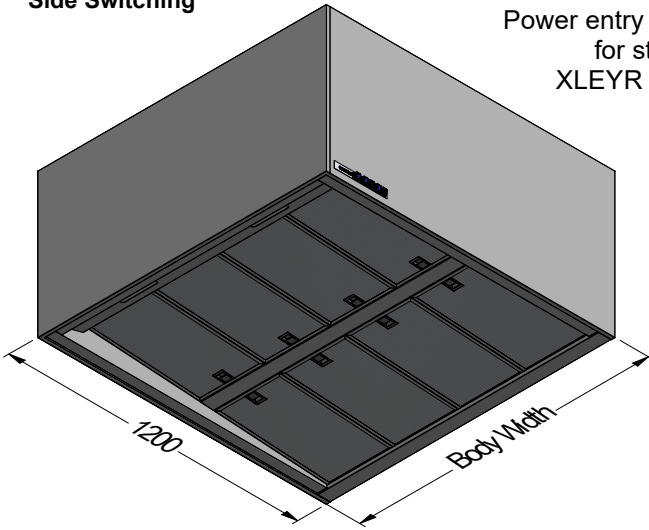


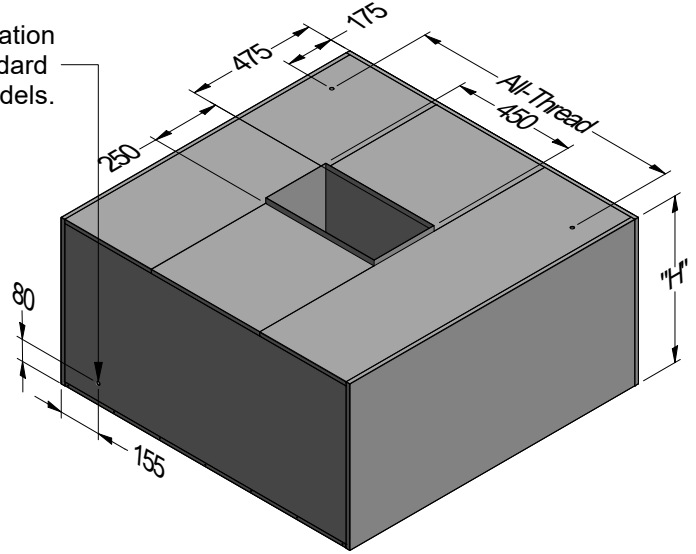


Top Ducted

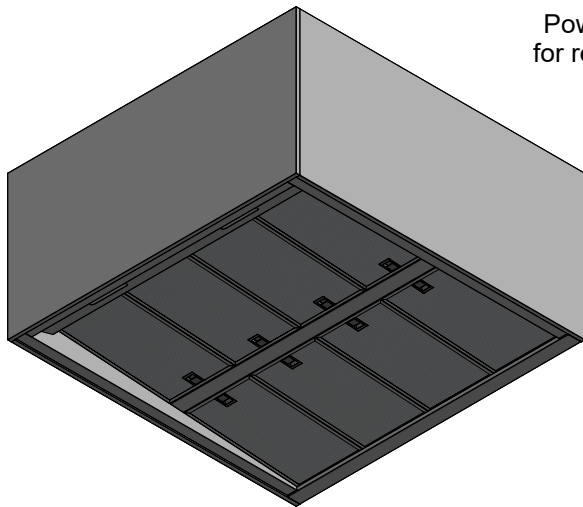
Side Switching



Power entry location for standard XLEYR models.

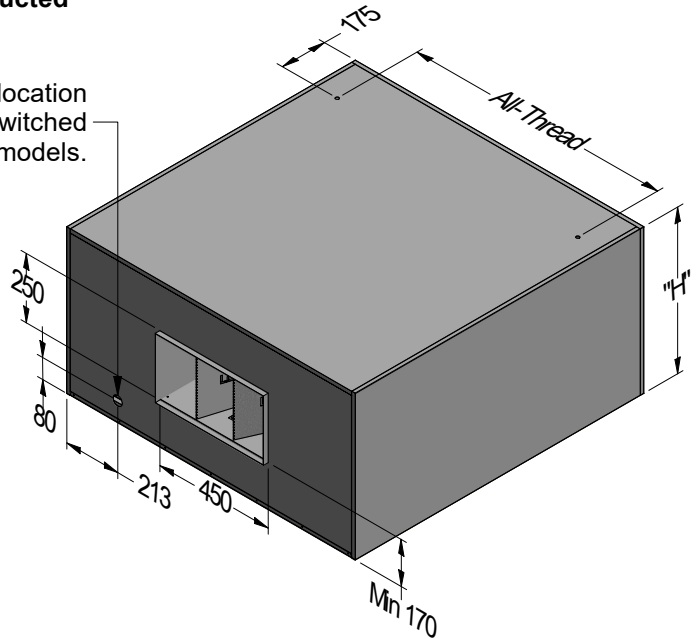


Remotely Switched



Back Ducted

Power entry location for remotely switched XLEYR models.



XL EYRE MODEL IS MADE TO ORDER AT THE REQUIRED HEIGHT AND AS EITHER TOP OR BACK DUCTED. PLEASE NOTE "R" AT THE END OF THE MODEL NO. DENOTES REMOTELY SWITCHED FOR REMOTELY SWITCHED MODELS SWITCHING IS NOT SUPPLIED ELECTRICAL CONNECTION IS MADE AT JUNCTION BOX INSIDE RANGEHOOD

Model	XLEYR 1200L-3 XLEYR 1200L-3 R	XLEYR 1500L-3 XLEYR 1500L-3 R	Model	XLEYR 1200L-3 XLEYR 1200L-3 R	XLEYR 1500L-3 XLEYR 1500L-3 R
Body Width	1200mm	1500	Filter Size	272mm x 480mm	272mm x 480mm
Motor Box / Flue Width	N/A	N/A	Conversion Top/Back Back/Top	NO	NO
Motor Qty	3	3	Electrical Connection	Junction Box	Junction Box
LED Light	Cool or Warm	Cool or Warm	Minimum Height (H =)	500mm	500mm
Nightlight	NO	NO	Maximum Height (H =)	1160mm	1160mm
Light Qty	2	3	Coating Available	N/A	N/A
Light Centres	545mm	459mm	All-thread Fixing Centres	1000mm	1300mm
Filter Qty	8	10	Corner Type	Square	Square
ACWMLR			Condari Pty Ltd.	Version: A 13/09/2023F	Page 1 of 1