

CONDOR RANGE – XL EYRE (WALL MOUNTED) CUSTOMER SPECIFICATION SHEET

*Any variation to the below will mean the hood has to be specially made and will be subject to a quotation.
The order will not be confirmed until this form is signed and completed.*

XL EYRE MODELS

- XLEYR 1200L-3
- XLEYR 1200L-3 R
- XLEYR 1500L-3
- XLEYR 1500L-3 R

R = REMOTE SWITCHING

DUCT DIRECTION

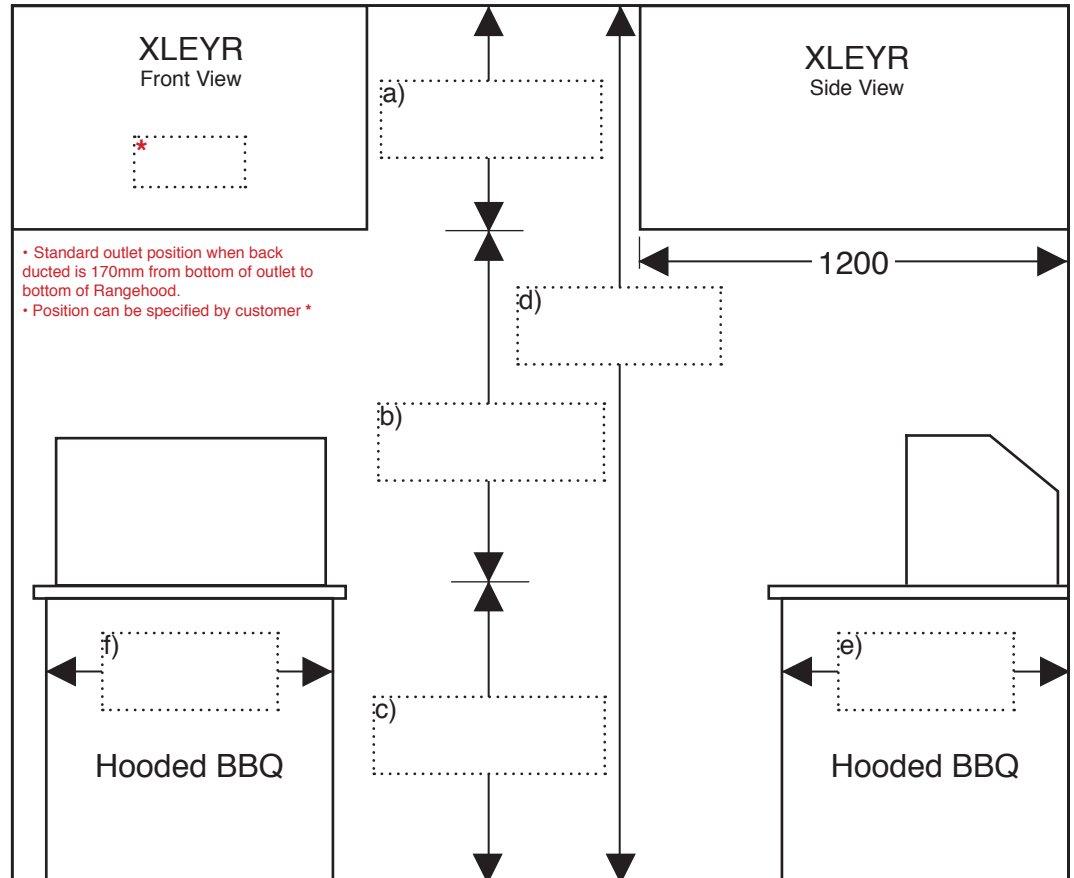
- Top Ducted
- Back Ducted

FINISH

- Stainless Steel

LED LIGHTS

- Cool
- Warm



- KEY**
- a) - Height of Rangehood
 - b) - Installation Height - *Recommended Installation height 1200-1400mm*
 - c) - Bench Top Height
 - d) - Floor to Ceiling Height
 - e) - Bench / BBQ Depth
 - f) - Bench / BBQ Width

DATE _____ ORDER NO. _____

COMPANY _____

CONSULTANT _____

TYPE & BRAND OF HOTPLATE _____

DEPTH OF BENCH TOP _____

DATE REQUIRED _____

COMMENTS _____

CUSTOMER SIGNATURE _____

CONDARI APPROVAL _____ SIGNATURE _____

Condari Pty Ltd ABN: 51 056 577 765 | Phone: 1300 360 563 | 668 Smith Street Clifton Hill VIC 3068

VIC / TAS
Email: sales@qasair.com.au
Phone: 03 9482 7088
Fax: 03 9482 7011

NSW / ACT
Email: salesnsw@qasair.com.au
Phone: 02 9316 4599
Fax: 02 9316 9299

QLD
Email: salesqld@qasair.com.au
Phone: 07 3423 3503
Fax: 07 3282 9122

SA / NT
Email: salessa@qasair.com.au
Phone: 1300 360 563
Fax: 03 9482 7011

WA
Email: saleswa@qasair.com.au
Phone: 08 9242 5387
Fax: 08 9201 0887