



ATHERTON RANGEHOODS



Made in **Australia**



ALFRESCO LIVING

To suit your lifestyle

2024 heralds a new concept in outdoor living to bring your ideas to reality.

Condari presents the Atherton series of rangehoods - designed to remove all by-products of barbecues in alfresco areas.

Entertaining all year made easy in your indoor/ outdoor alfresco area with the correct barbecue and rangehood.

It makes for a perfect day.

All alfresco barbecue rangehoods are manufactured in Australia.

Made in Ringwood 3134.



SOMERTON
Page 4-5



STIRLING
Page 6-7



AVENEL
Page 8-9

NOTE – Please read the information on page 13 regarding the position of the rangehood over a barbecue.



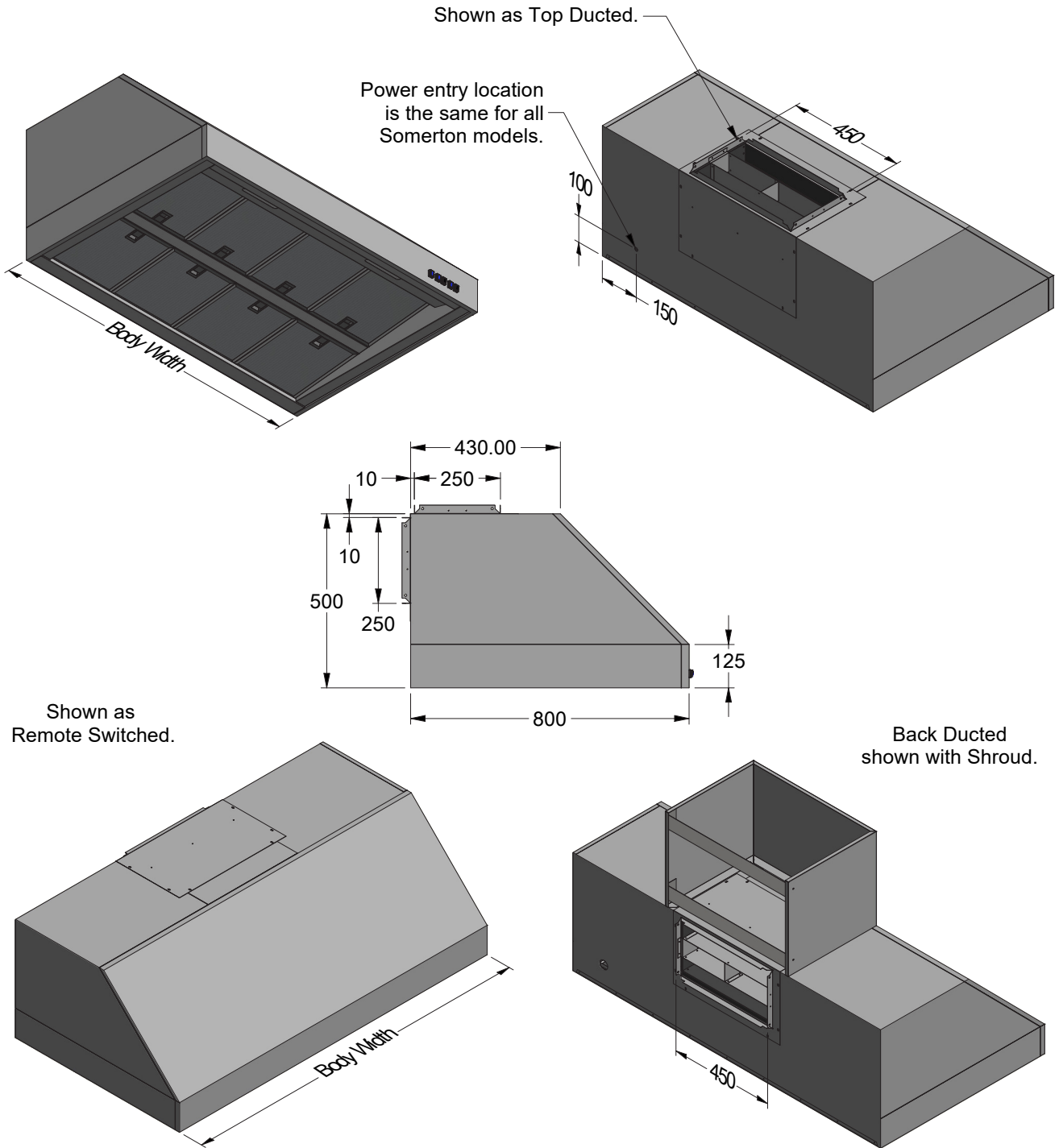
ATHERTON RANGE SOMERTON

The SOMERTON Rangehood comes in two models either 1200mm or 1500mm wide and all come with 3 motors providing an air movement from 450 cubic metres up to 2700 cubic metres per hour.

All the hoods come with LED Strip type lighting and filters that wash in a dishwasher.

All models are either top or back ducted and can be changed on site.

ATHERTON RANGE SOMERTON



Electrical connection is made at junction box inside rangehood.

Somerton comes top ducted and can be converted to back ducting on site by the installer.

“R” at the end of the model no. denotes remotely switched rangehood. A remote switch is necessary and is a approved switch bank. Switching is not supplied.

Model	SOM 1200L-3 SOM 1200L-3R	SOM 1500L-3 SOM 1500L-3R	Model	SOM 1200L-3 SOM 1200L-3R	SOM 1500L-3 SOM 1500L-3R
Body Width	1200mm	1500mm	Filter Qty	8	6
Motor Qty	3	3	Filter Size	272 x 290mm	459 x 290mm
Light Qty	2	3	Conversion Top/Back Back/Top	Yes	Yes
Light Centres	545mm	460mm	Electrical Connection	Junction Box	Junction Box



ATHERTON RANGE **STIRLING**



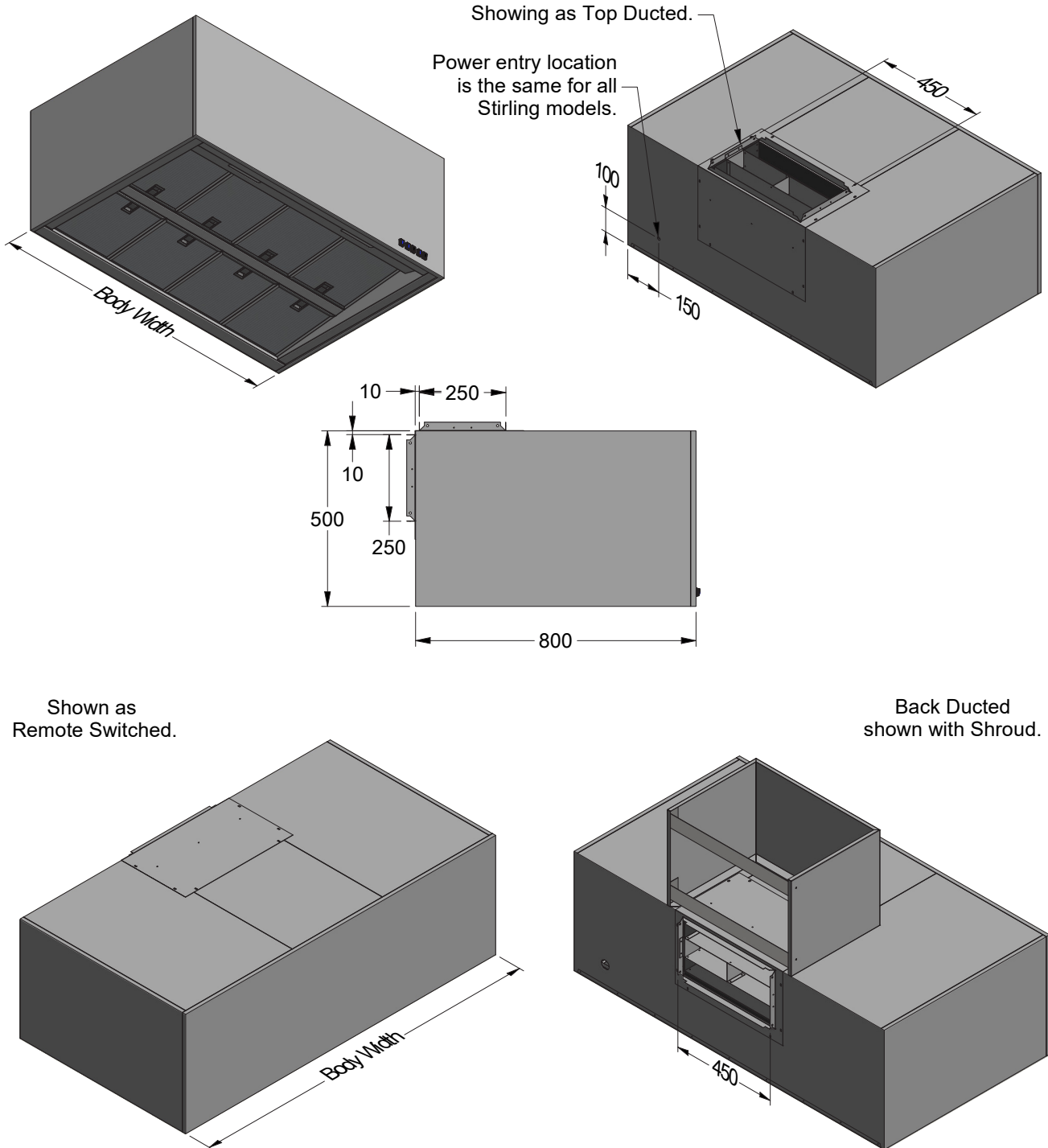
The STIRLING shown above comes in two models. Either 1200mm or 1500mm wide. It incorporates the same features as the Somerton but is in a box format. This also is top or back ducted and is wall mounted providing an air movement from 450 cubic metres up to 2700 cubic metres per hour.

All the Atherton Rangehoods are made in stainless steel type 304.

In a alfresco setting, smoke will rise due to heat and is likely to linger and be very unpleasant. Having correct ventilation is to ensure everyone will enjoy the afternoon or evening.

All models are either top or back ducted and can be changed on site.

ATHERTON RANGE STIRLING



Electrical connection is made at junction box inside rangehood.

Stirling comes top ducted and can be converted to back ducting on site by the installer.

“R” at the end of the model no. denotes remotely switched rangehood. A remote switch is necessary and is a approved switch bank. Switching is not supplied.

Model	STIR 1200L-3 STIR 1200L-3R	STIR 1500L-3 STIR 1500L-3R	Model	STIR 1200L-3 STIR 1200L-3R	STIR 1500L-3 STIR 1500L-3R
Body Width	1200mm	1500mm	Filter Qty	8	6
Motor Qty	3	3	Filter Size	272 x 290mm	459 x 290mm
Light Qty	2	3	Conversion Top/Back Back/Top	Yes	Yes
Light Centres	545mm	460mm	Electrical Connection	Junction Box	Junction Box



ATHERTON RANGE AVENEL

The AVENEL is the third model available and comes in the same widths (1200mm and 1500mm) as the others and has all the same features.

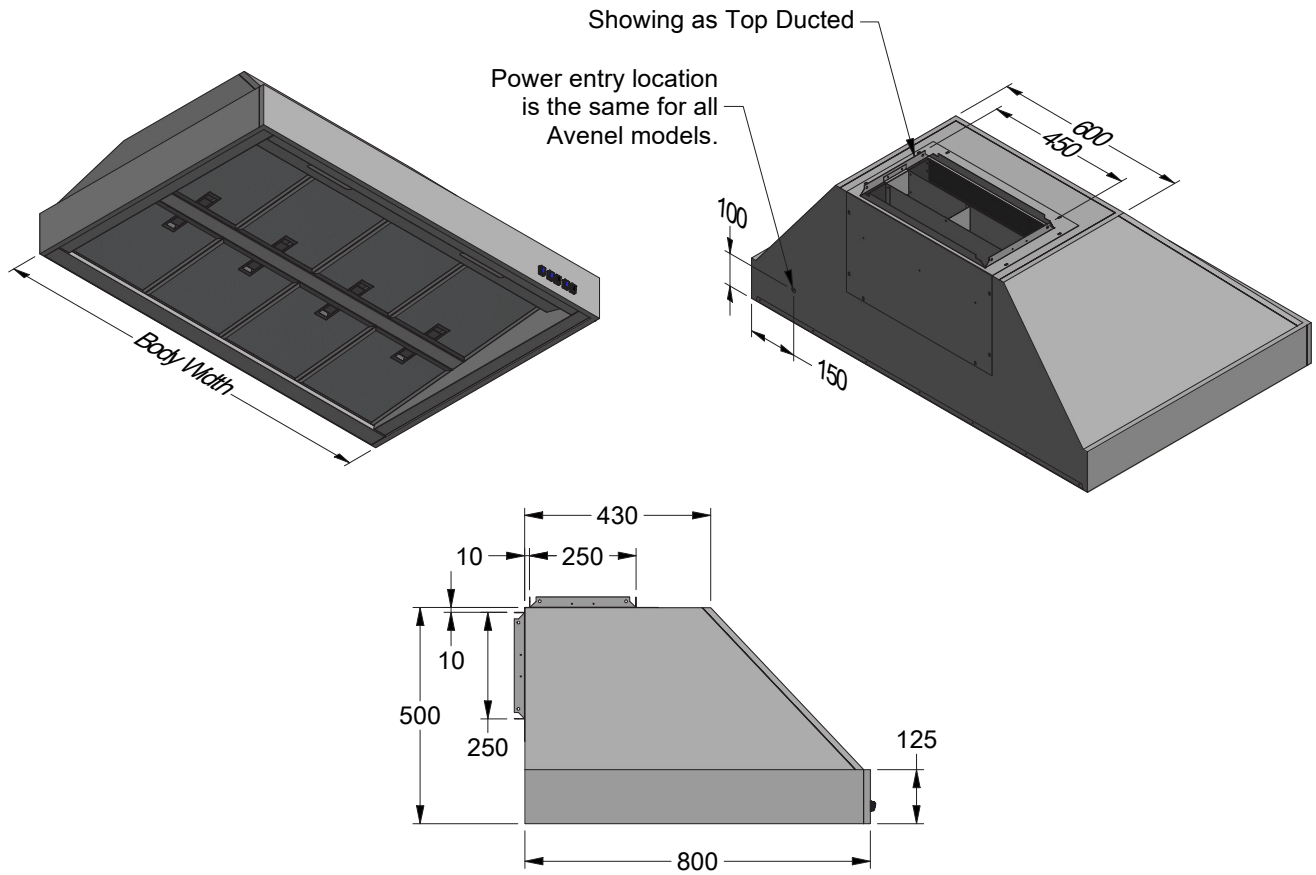
All rangehoods are made in Stainless Steel Type 304 Brushed with filters of 8 layers and a positive clip lock system. The motors are four pole tangential type and are all two speed.

The hood has 3 motors and each motor provides an air movement from 450 cubic metres to 900 cubic metres per hour.

The total air movement is 2700 cubic metres per hour.

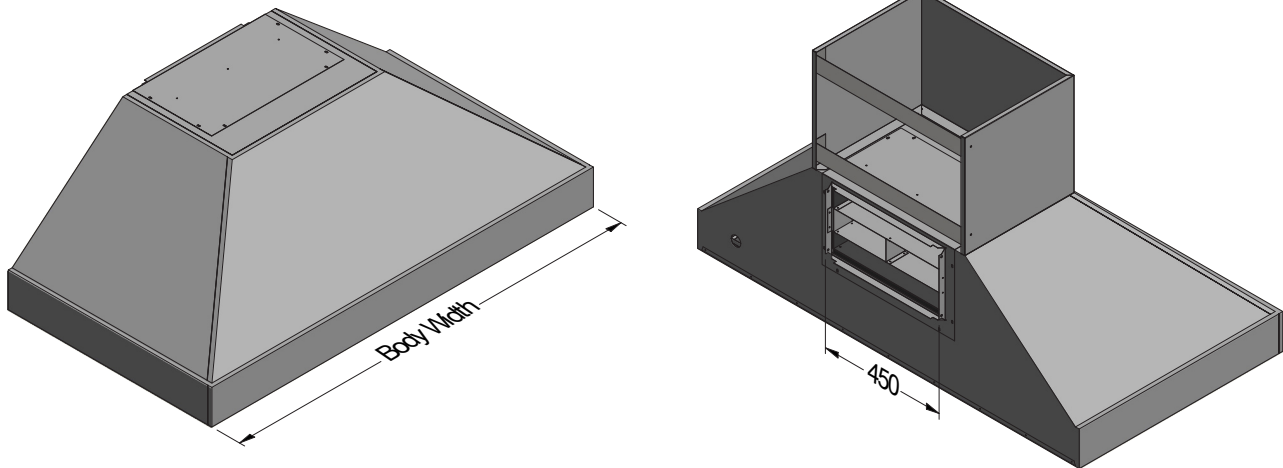
So be smoke free with Atherton Rangehoods.

ATHERTON RANGE AVENEL



Shown as Remote Switched.

Back Ducted shown with Shroud.



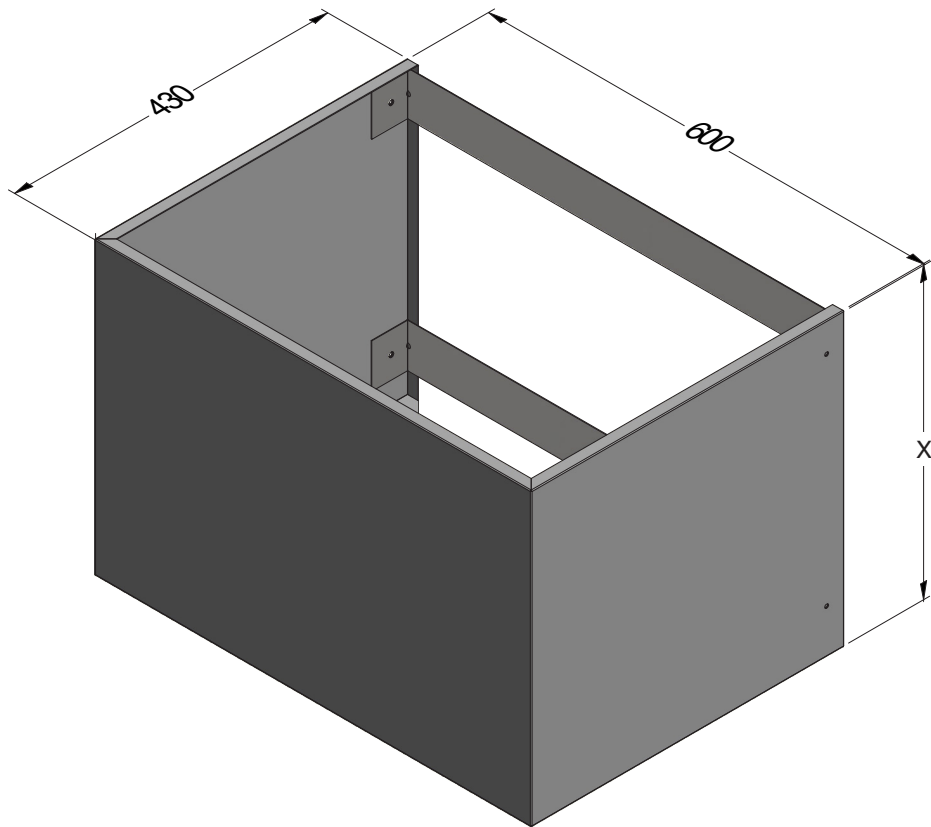
Electrical connection is made at junction box inside rangehood.

Avenel comes top ducted and can be converted to back ducting on site by the installer.

“R” at the end of the model no. denotes remotely switched rangehood. A remote switch is necessary and is a approved switch bank. Switching is not supplied.

Model	AVE 1200L-3 AVE 1200L-3R	AVE 1500L-3 AVE 1500L-3R	Model	AVE 1200L-3 AVE 1200L-3R	AVE 1500L-3 AVE 1500L-3R
Body Width	1200mm	1500mm	Filter Qty	8	6
Motor Qty	3	3	Filter Size	272 x 290mm	459 x 290mm
Light Qty	2	3	Conversion Top/Back Back/Top	Yes	Yes
Light Centres	545mm	460mm	Electrical Connection	Junction Box	Junction Box

ATHERTON RANGE SHROUD

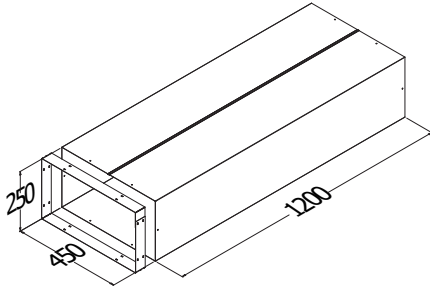


ATHERTON SHROUD SHROUD TO SUIT ALL WALL MOUNTED ATHERTON RANGEHOODS

'X': Order as requested for a customised height.

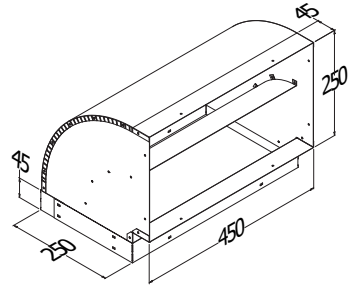
BARBECUE RANGEHOOD DUCT PIECES

400. DL-4



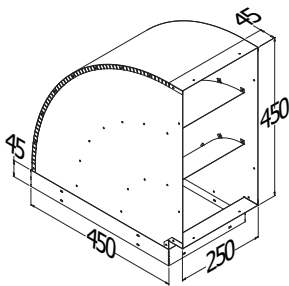
- 400. DL-4
- 400. DL-4 SS
- 400. DL-4 CB
- 400. DL-4 PC

401. HB 450x250



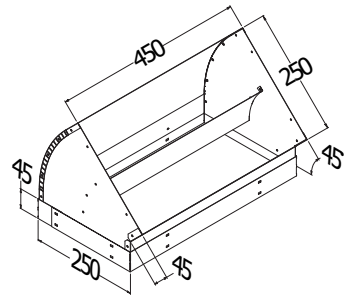
- 401. HB 450 x 250
- 401. HB 450 x 250 SS
- 401. HB 450 x 250 CB
- 401. HB 450 x 250 PC

402. VB 450x250



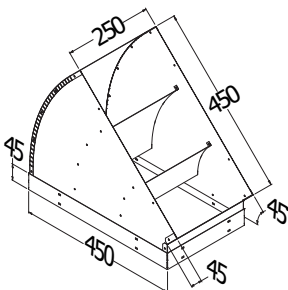
- 402. VB 450 x 250
- 402. VB 450 x 250 SS
- 402. VB 450 x 250 CP

403. HB 450x250/45



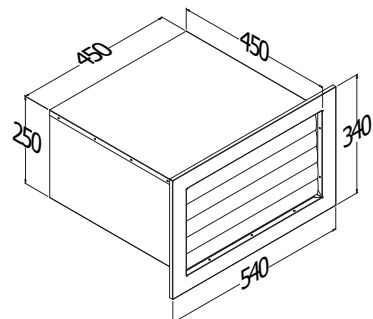
- 403. HB 450 x 250/45
- 403. HB 450 x 250/45 SS
- 403. HB 450 x 250/45 CB
- 403. HB 450 x 250/45 PC

404. VB 450x250/45



- 404. VB 450 x 250/45
- 404. VB 450 x 250/45 SS
- 404. VB 450 x 250/45 CB
- 404. VB 450 x 250/45 PC

405. BD/WV-H 450x250



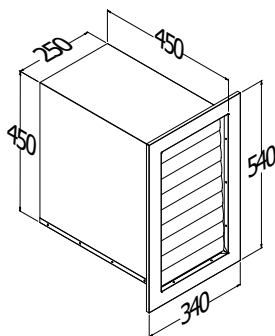
- 405. BD/WV-H 450 x 250
- 405. BD/WV-H 450 x 250 SS
- 405. BD/WV-H 450 x 250 CB
- 405. BD/WV-H 450 x 250 PC

Ventilation Systems Ducted Systems

All ducting pieces are made in Zinc Alume, Stainless Steel, Colourbond material or are powderkoted in a colour.
SS: Stainless Steel CB: Colourbond PC: Powder Kote

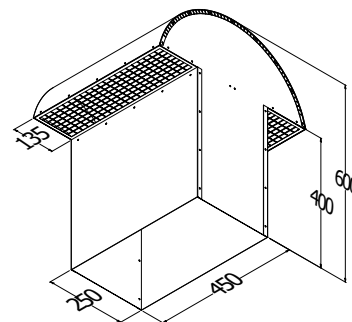
BARBECUE RANGEHOOD DUCT PIECES

406. BD/WV-V 450x250



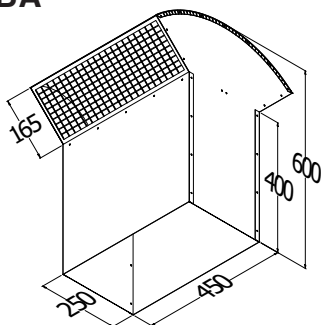
- 406. BD/WV-V 450 x 250
- 406. BD/WV-V 450 x 250 SS
- 406. BD/WV-V 450 x 250 CB
- 406. BD/WV-V 450 x 250 PC

407. RCB



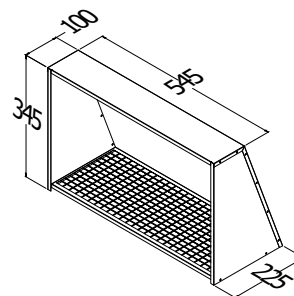
- 407. RCB
- 407. RCB SS
- 407. RCB CB
- 407. RCB PC

408. RCBA



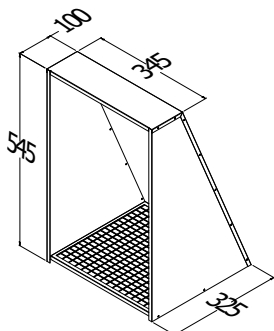
- 408. RCBA
- 408. RCBA SS
- 408. RCBA CB
- 408. RCBA PC

409. WVC-H-450x250



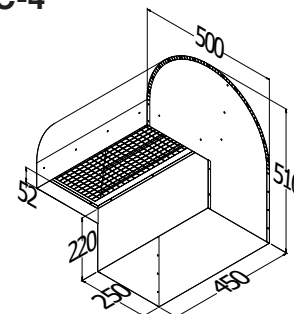
- 409. WVC-H-450 x 250
- 409. WVC-H-450 x 250 SS
- 409. WVC-H-450 x 250 CB
- 409. WVC-H-450 x 250 PC

410. WVC-V-450x250



- 410. WVC-V-450 x 250
- 410. WVC-V-450 x 250 SS
- 409. WVC-H-450 x 250 CB
- 409. WVC-H-450 x 250 PC

411. BD RC-4



- 410. BD RC-4
- 410. BD RC-4 SS
- 410. BD RC-4 CB
- 410. BD RC-4 PC

WARNING

Dimensions shown are accurate at the time of printing but Condari reserves the right to change specifications without notice. For building purposes the unit should be provided to the cabinet maker/builder/kitchen designer for exact measurements.

VENTILATION FOR YOUR RANGEHOOD

Alfresco areas are becoming more popular and barbecues are becoming more elaborate and complex putting out more heat. The problem with ventilation is when the heat output of the barbecue is over 65 mega joule or each burner is 15 mega joules or greater. Correct ventilation allows full use of all the facilities in the Alfresco areas. The barbecue selected will determine the type of rangehood and the position for the rangehood.

DIAGRAM 1 shows a barbecue with the hood open at 90 degrees to the cooking surface and the smoke rises vertically. The rangehood can be placed over the top of the cooking surface. Some manufacturers recommend that you cook with the lid closed and the rangehood can be placed above the barbecue. The diagram shows the relationship of the barbecue to the rangehood. NOTE: When the lid is closed smoke comes out the back of the barbecue. This area must be covered with a customised rangehood to suit the requirements.

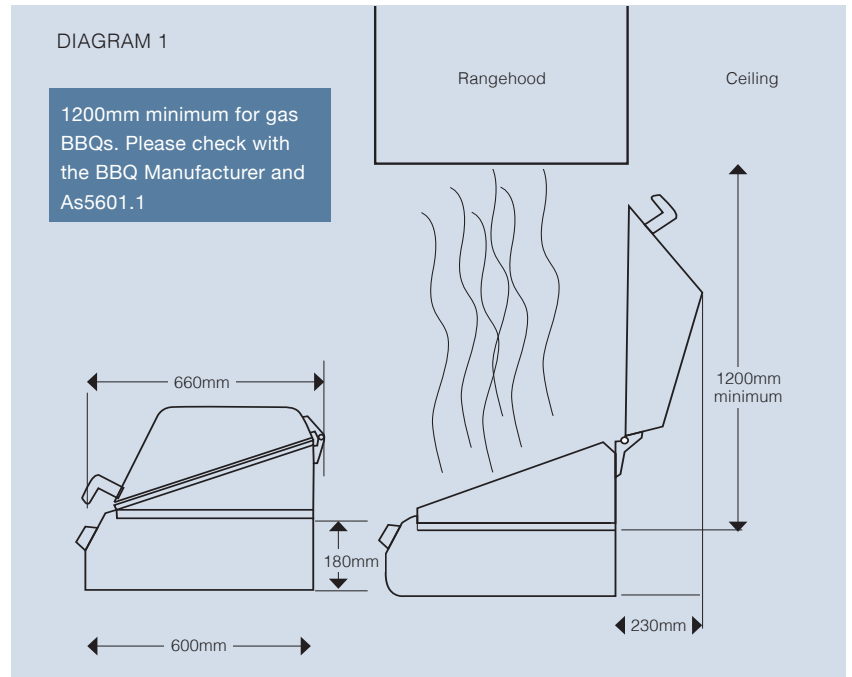
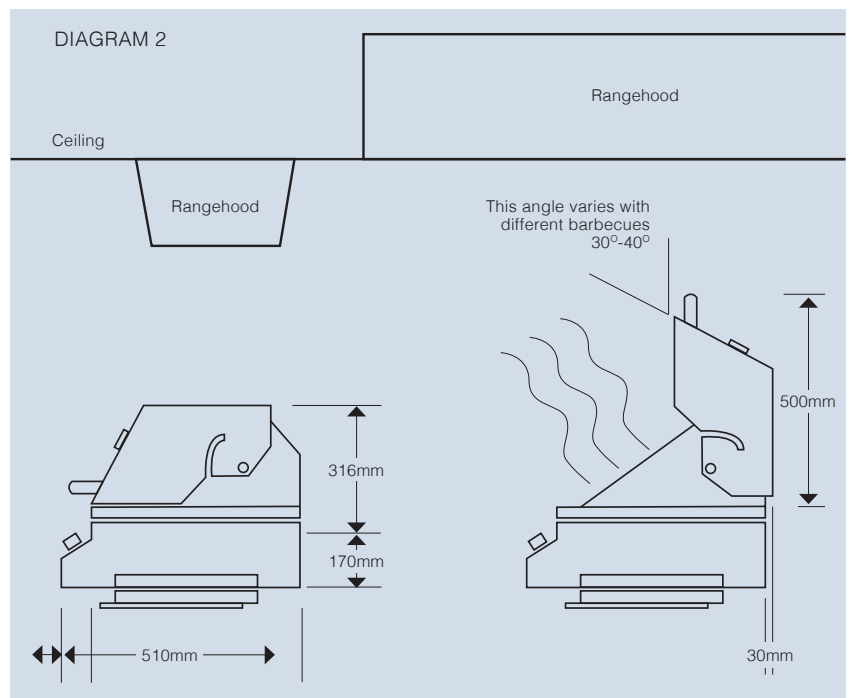


DIAGRAM 2 shows the barbecue lid is pivoted in the centre of the base and therefore covers the back half of the cooking surface. There are many models on the market that are like this and the smoke comes out from the cooking surface at about 60 degrees to the horizontal. The rangehood needs to be in front of the barbecue so it will catch all the by products of the cooking. The position will be determined by the height of the ceiling. This diagram explains the problem and the solution to this.



We recommend an air movement up to 2700 cubic metres per hour over all outdoor barbecues and for DIAGRAM 2 it may be necessary to have a higher air movement and may be necessary to use a Condor Rangehood.



All you need for a perfect day.

With today's alfresco areas becoming more complex, ventilation is becoming one of the most important design considerations. As barbecues continue to increase in size and complexity, with heat outputs in excess of 110 mega joules, careful planning with regard to correct ventilation is essential.

From restrictions can come creative solutions which are inventive and imaginative.

Atherton excels in all situations presented with alfresco areas to ensure a pleasant and enjoyable barbecue environment.

Atherton continues to shape the future as designers express their thoughts with new and different designs.

Atherton Rangehoods are a very reputable brand in Australia.





Condari Pty Ltd

Telephone 1300 360 563

Head Office

VIC

Tel: +61 3 9482 7088

Email: sales@condari.com.au Web: www.condari.com.au

NSW/ACT

Tel: 02 9316 4599

Email: salesnsw@qasair.com.au

QLD

Tel: 07 3423 3503

Email: salesqld@qasair.com.au

SA/NT

Tel: 1300 360 563

Email: salessa@qasair.com.au

WA

Tel: 08 9242 5387

Email: saleswa@qasair.com.au

TAS

Tel: 1300 360 563

Email: sales@qasair.com.au

Distributors outside Australia

NEW ZEALAND

Kouzina Appliances

155 The Strand, Parnell, Auckland

Tel: +64 9 377 7822

Email: sales@kouzina.co.nz

SINGAPORE

Eldric Marketing Pte Ltd

Tel: +65 6743 8388

Email: enquiry@eldric.sg

INDONESIA

PT. Multi Elexindo Indah

T +62 21 723 7888

Email: inquiry@mulxindo.id

www.mulxindo.id